

JOB:
ITEM:
QTY:

rotatruck™

STAIRCLIMBER

APPLICATION:

This hand truck is designed to be directional also with lateral movements. The stairclimber design lets the wheels rotate on a center axis allowing you to go up or down stairs with little effort.

MATERIAL:

Framework is constructed out of 1 1/4"x1 1/4"x.070" wall tubing. Handle is constructed out of 1" diameter pipe. The nose plate is 9"x18".

CASTERS:

This truck comes equipped with two stairclimbing assemblies. These are equipped with three triple wheel housings.

GUARANTEE:

This truck carries a **Lifetime Guarantee** against rust and corrosion and also carries a **Five-Year Guarantee** against workmanship and material defects.

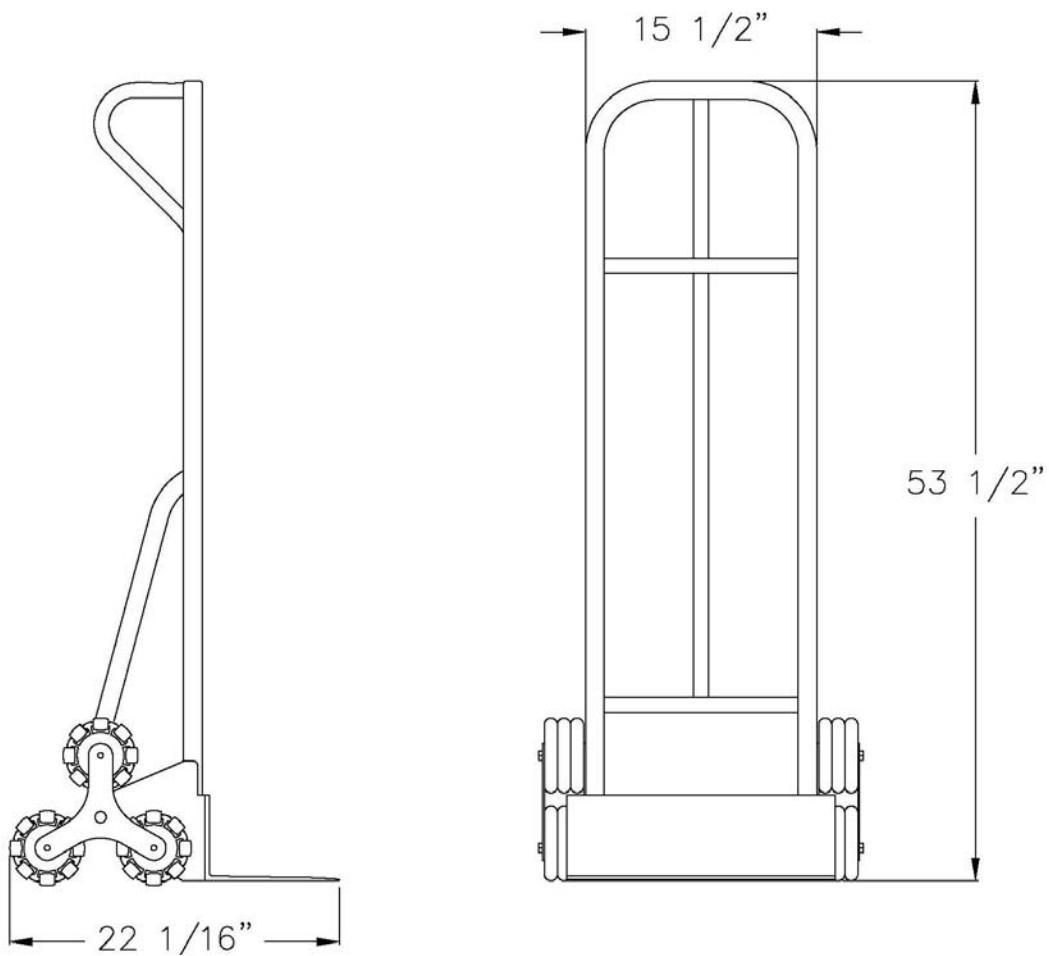


Model #RTC18



Phone:800-255-0104
Fax: 877-877-7687
www.newageindustrial.com
sales@newageindustrial.com

New Age Industrial reserves the right to modify or make changes at any time without notice to materials and specifications.



Model #RTC18

Model No.	Size-W	Size-H	Size-D	Wheel Type
RTC18	21 3/4"	53 1/2"	22 1/16"	Stairclimber



Phone: 800-255-0104
 Fax: 877-877-7687
www.newageindustrial.com
sales@newageindustrial.com

New Age Industrial reserves the right to modify or make changes at any time without notice to materials and specifications.