

Job: _____

Item: _____

Quantity: _____

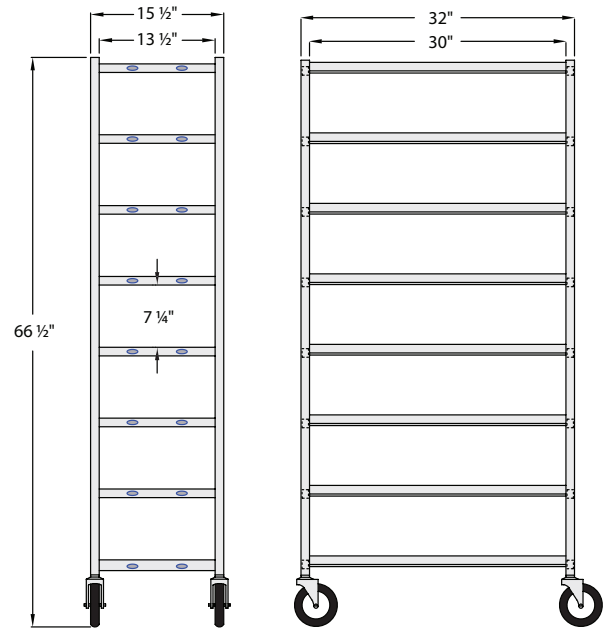
Universal Platter Rack -- Economy

The ideal transport/storage rack for the meat department. These racks can handle platter sizes from 10" x 30" to 12" x 30". The oval tubing shelf design allows for easy on, easy off access.

- Framework is constructed out of 1" x 1" x .070" wall tubing.
- Shelves are constructed out of 1/2" x 1 1/4" oval tubing.
- Equipped with four 5" stem type swivel casters.
- One-Year Guarantee against material defects and workmanship.
- Lifetime Guarantee against rust and corrosion.
- NSF Certified.



6354



1355M

Model No.	Size W-H-D	No. Shelves	Shelf Spacing	Ship Lbs.
For 10" - 12" Platters Up To 30" In Length				
6354	15 1/2" x 42" x 32"	5	7 1/4"	34
1355M	15 1/2" x 67" x 32"	8	7 1/4"	45

Four 5" stem type swivel casters (#C480).

Options:

"CL(A)", "VB" - See catalog for details.

Distributed by:

This information is for general sales and engineering use only. New Age Industrial reserves the right to modify or make changes at any time without notice to materials and specifications.

