

Job: _____

Item: _____

Quantity: _____

Slant Display Rack

This rack is designed to provide an attractive display with high product visibility.

- Frame is constructed of 1" x 1" x .070" wall tubing.
- Angle runners are 1¼" x 1⅝" x .100" wall.
- Uprights are reinforced with a channel to help prevent breakage from the stem casters.
- Equipped with four 5" stem type swivel casters.
- Five-Year Guarantee against material defects and workmanship.
- Lifetime Guarantee against rust and corrosion.
- NSF Certified.



1139

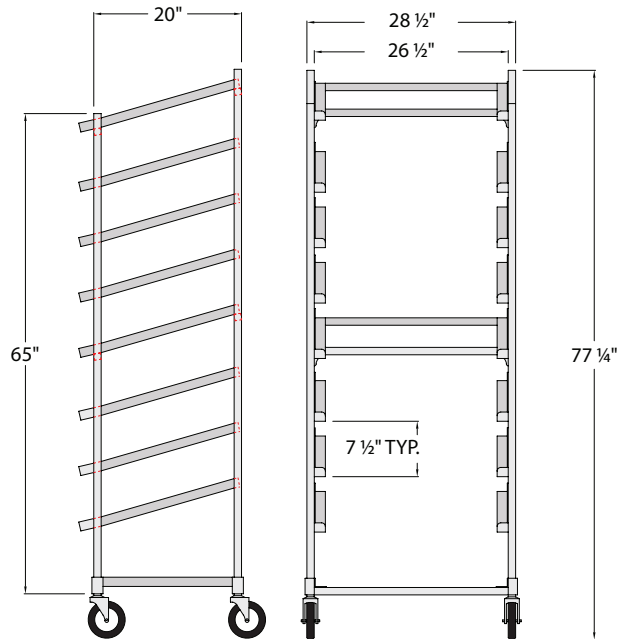
Model No.	Size W-H-D	Pan Cap.	Runner Spacing	Ship Lbs.
1137	28½" x 70" x 22"	7	8¾"	32
1139	28½" x 77¼" x 22"	9	7½"	38

Four 5" stem type swivel casters (#C480).
 Designed to accommodate 18" x 26" pans.

Options:

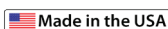
"CL(A)", "VB" — see catalog for details.

All sheet pan racks quoted hold USA standardized 18" x 26" sheet pans (17⅞ x 25⅞" actual). We are not responsible for pans that do not meet the industry standard, which may not fit our racks.



1139

This information is for general sales and engineering use only. New Age Industrial reserves the right to modify or make changes at any time without notice to materials and specifications.



Distributed by: