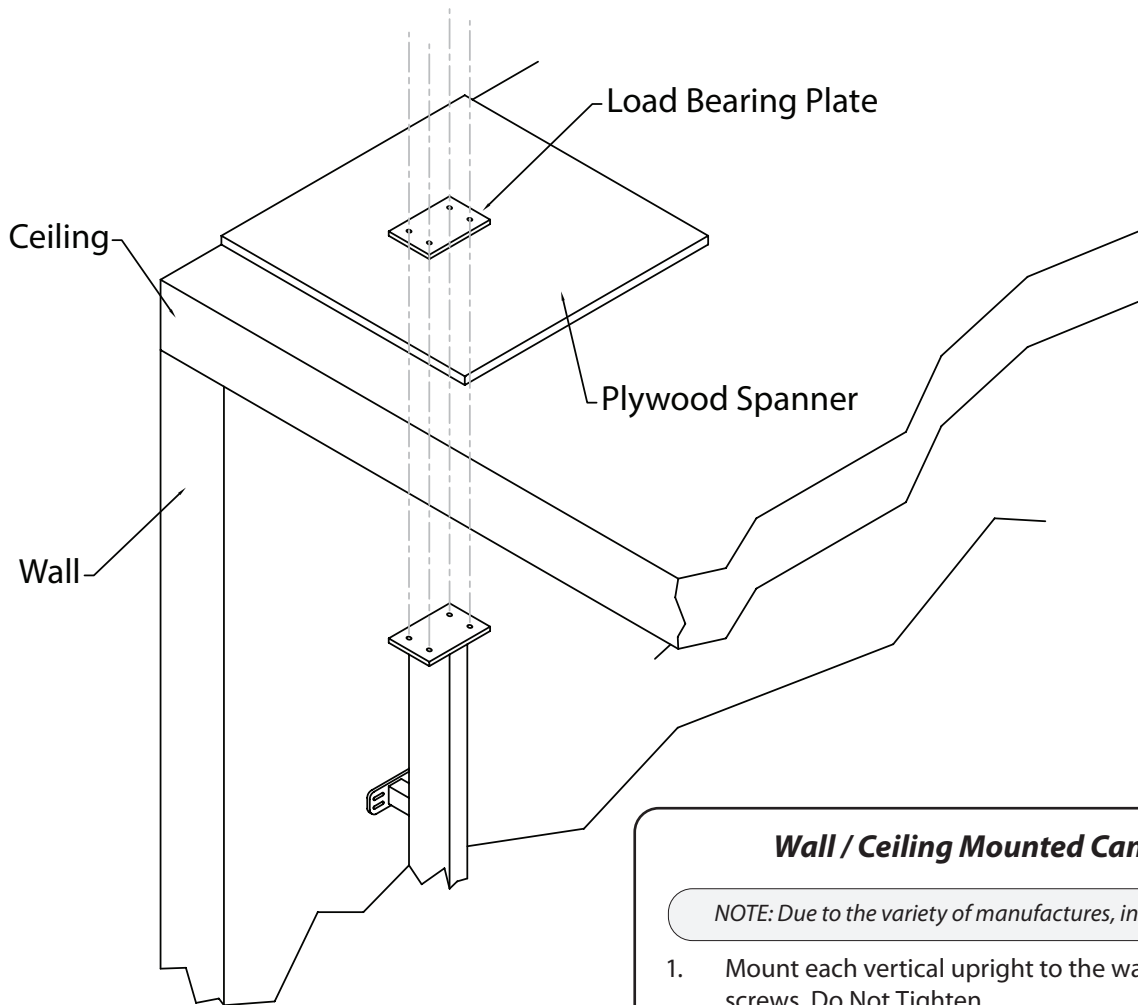


Assembly Instructions

Cantilever Shelving – Wall-Mounted



Wall / Ceiling Mounted Cantilever Shelving

NOTE: Due to the variety of manufactures, installation methods may vary.

1. Mount each vertical upright to the wall with sheet metal screws, Do Not Tighten.
2. Position one shelf each on the top and bottom of each shelving section.
3. Tighten sheet metal screws.
4. **Install the load bearing plate on cooler ceiling before loading the shelves.**

The aluminum load bearing plate must be spanned with suitable material to side wall and/or load bearing beams for the ceiling (i.e. 24" x 24" x 3/4" plywood to span supports).

5. Holes for 1/4" diameter bolts are field drilled through cooler/freezer ceiling and spanner plate.
6. Securely bolt the load bearing plates through the ceiling.
7. Cover the top of the load bearing plates and bolts with enough insulating material to prevent condensation.