

# 99555 | Three-Step Ladder Cart

## Standard aluminum ladder cart, lighter and easier to maneuver.

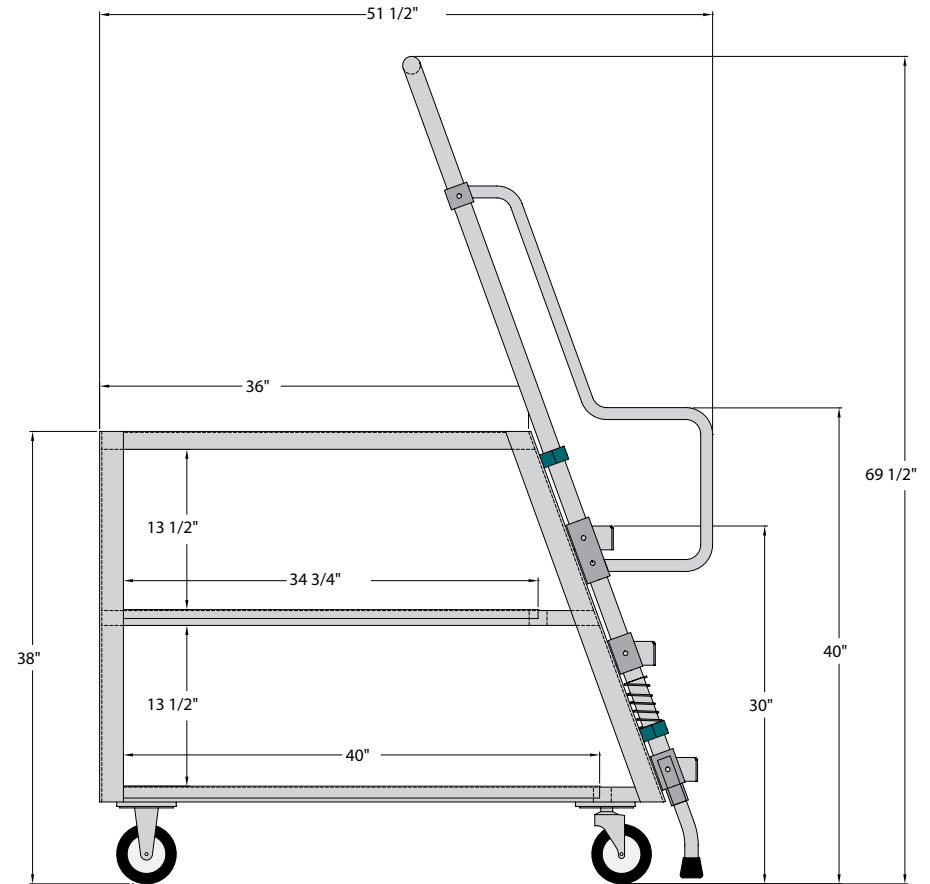
- Flat, solid shelves.
- Extended reach handle "shin saver".
- Continuous grip handle for ascending and descending securely.
- Reach bar across top for worker safety while pulling product.
- Extra-wide steps, welded and bolted in place.
- Heavy duty, full contact, spring-loaded ladder stops.
- Ladder legs are angled to allow for full contact of foot caps (*replaceable*).
- Cap ends of ladder are welded shut to reduce wear.



Extra wide steps are welded and bolted in place.  
- Fitted with non-slip tape for safety.

# 99555 | Three-Step Ladder Cart

- Sheet parts are constructed of 5052-H32 Alloy aluminum.
- Extrusion parts are constructed of 6063-T5 Alloy aluminum.
- Ladder consists of 1.49" O.D. pipe, .153" wall uprights, 1" O.D. pipe, .125" handle and steps are formed out of .125" thick sheet.
- Cart uprights are formed of  $\frac{3}{16}$ " sheet.
- Each shelf is constructed of 1 $\frac{1}{4}$ " square tube, .07" wall covered with .08" sheet.
- Lifetime Guarantee against rust and corrosion.



**99555**

Model No	Size W-H-L	No. Of Shelves	Top Shelf Height	Shelf Spacing	Weight Capacity	Ship Lbs.
99640	22" x 69 $\frac{1}{2}$ " x 51 $\frac{1}{2}$ "	2	38"	21 $\frac{1}{4}$ "	800 lbs.	113
99555	22" x 69 $\frac{1}{2}$ " x 51 $\frac{1}{2}$ "	3	38"	13 $\frac{1}{2}$ "	800 lbs.	120

Four 5" platform type casters, two swivel (#C461) two rigid (#C463).