



One & Done

One Order Code = One Complete Unit

Adjustable Shelving Order Codes What's In A Number?

Let's Break It Down.

Comprised of **Adjust-A-Shelf Series** shelving components, the **Order Codes** allow you to order one unit with multiples shelves, with one number.

This saves time and confusion on quotes and orders.



Order Code | 31848HB6

3

of Tiers
(2, 3, 4 or 5)

1848

Shelf Size
(eg. 18" D x 48" L)

H

Base Shelf Style

- H = HD Bar
- T = T-Bar
- B = Solid Brute
- S = Solid

B

Top Shelf(s) Style

- H = HD Bar
- T = T-Bar
- B = Solid Brute
- S = Solid

6

Post Height

- 5 = 56"
- 6 = 68"
- 7 = 76"
- 8 = 84"



Have **ONE** Shelf Style
or Mix It Up With **TWO!**



Get The Codes

NEWAGE INDUSTRIAL

NewAgeIndustrial.com | 800-255-0104

Project: _____

Item: _____

Quantity: _____

Adjustable Shelving Units

- HD Series | Standard



Built to accommodate heavier product and designed for use in all environments including freezers, coolers, as well as packaging and storage areas.

- One-Year Guarantee against workmanship and material defects.
- Lifetime Guarantee against rust and corrosion.



Adjustable Shelving Units

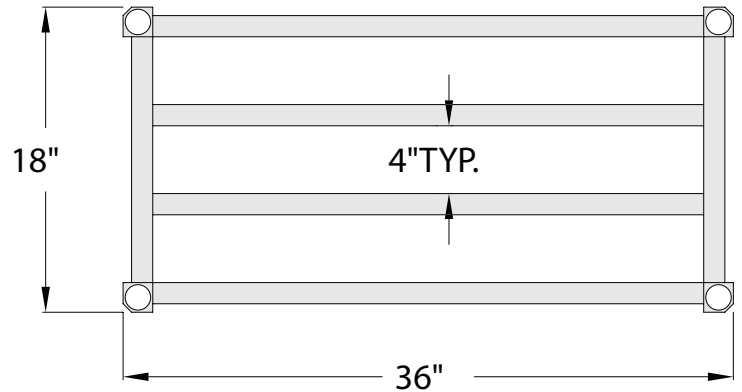
- HD Series | Standard

Adjustable Shelving Units

-H.D. Series Shelves | Heavy Duty

Ordering Code	Shelf Size D-L	Unit Height	Net Lbs.	Ship Lbs.
Three-Tier				
C31836HH6	18" x 36"	68"	30.3	35.4
C31848HH6	18" x 48"	68"	32.8	36.9
C32436HH6	24" x 36"	68"	31.2	37.7
C32448HH6	24" x 48"	68"	36.3	44.7
Four-Tier				
C41836HH7	18" x 36"	76"	37.6	44
C41848HH7	18" x 48"	76"	38.8	46
C42436HH7	24" x 36"	76"	38.8	47
C42448HH7	24" x 48"	76"	45.6	56.4
Five Tier				
C51836HH8	18" x 36"	84"	44.5	51.4
C51848HH8	18" x 48"	84"	46	53.9
C52436HH8	24" x 36"	84"	46	55.2
C52448HH8	24" x 48"	84"	54.5	66.9

Posts are marked in 2" increments.



- Framework is constructed of 1¼" x 1¼" x .070" wall tubing.
- 18" wide shelves = spacing is 4" between laterals.
24" wide shelves = spacing is 4¾" between laterals.
- One-Year Guarantee against workmanship and material defects.
- Lifetime Guarantee against rust and corrosion.



Project: _____

Item: _____

Quantity: _____

Adjustable Shelving Units - T-Bar Series | Standard



Built to accommodate heavier product and designed for use in all environments including freezers, coolers, as well as packaging and storage areas.

- Framework is constructed out of 1 ¼" x 1 ½" x .070" wall tubing.
- Laterals are constructed out of 1 ¼" x 2 ¼" x .100" T-Bar. Standard spacing on the laterals is three inches.
- One-Year Guarantee against workmanship and material defects.
- Lifetime Guarantee against rust and corrosion.



New Age Industrial Corp., Inc. || NewAgeIndustrial.com || Made in the USA 

PO Box 520 • 16788 US Hwy 36 • Norton, Kansas 67654 || Phone: (800) 255-0104 • (785) 877-5121 || Fax: (877)-877-7687 • (785) 877-2616



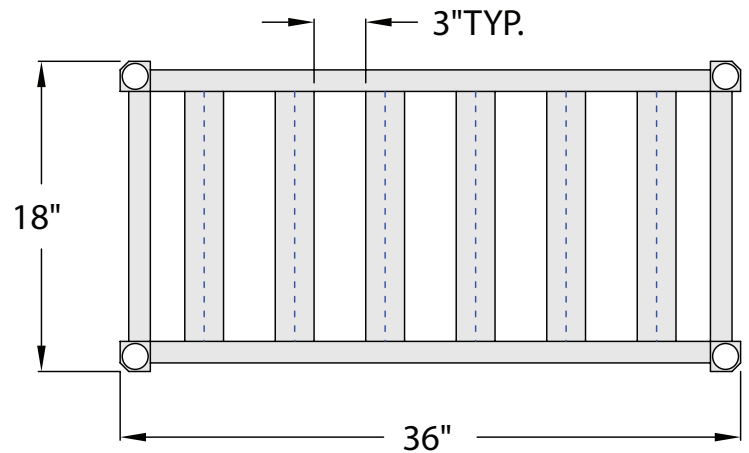
This information is for general sales and engineering use only. New Age Industrial reserves the right to modify or make changes at any time, without notice, to materials and specifications.

Adjustable Shelving Units - T-Bar Series | Standard

Adjustable Shelving Units -T-Bar Series Shelves

Ordering Code	Shelf Size D-L	Unit Height	Net Lbs.	Ship Lbs.
Three-Tier				
C31836TT6	18" x 36"	68"	34.2	36.6
C31848TT6	18" x 48"	68"	35.4	38.4
C32436TT6	24" x 36"	68"	35.4	38.4
C32448TT6	24" x 48"	68"	43.2	46.2
Four-Tier				
C41836TT7	18" x 36"	76"	42.8	45.6
C41848TT7	18" x 48"	76"	44.4	48
C42436TT7	24" x 36"	76"	44.4	48
C42448TT7	24" x 48"	76"	54.8	58.4
Five-Tier				
C51836TT8	18" x 36"	84"	51.3	53.4
C51848TT8	18" x 48"	84"	53	56.4
C52436TT8	24" x 36"	84"	53	56.4
C52448TT8	24" x 48"	84"	66	69.4

Posts are marked in 2" increments.



MATERIAL:

- Framework is constructed out of 1 ¼" x 1 ½" x .070" wall tubing.
- Laterals are constructed out of 1 ¼" x 2 ¼" x .100" T-Bar. Standard spacing on the laterals is three inches.
- Posts are constructed of 1 ½" diameter pipe and are marked at 2" intervals.



Project: _____

Item: _____

Quantity: _____

Adjustable Shelving Units - Solid Brute Series | Heavy Duty



Ideal for smaller, lighter items, solid shelves feature a smooth surface that is easy to clean and allows boxes to slide for effortless loading and unloading.

- **Weight capacity of 800 lbs. per shelf.**
- Lifetime Guarantee against rust and corrosion.
- Lifetime Guarantee against workmanship and material defects.



New Age Industrial Corp., Inc. || NewAgeIndustrial.com || Made in the USA 

PO Box 520 • 16788 US Hwy 36 • Norton, Kansas 67654 || Phone: (800) 255-0104 • (785) 877-5121 || Fax: (877)-877-7687 • (785) 877-2616



This information is for general sales and engineering use only. New Age Industrial reserves the right to modify or make changes at any time, without notice, to materials and specifications.

Adjustable Shelving Units

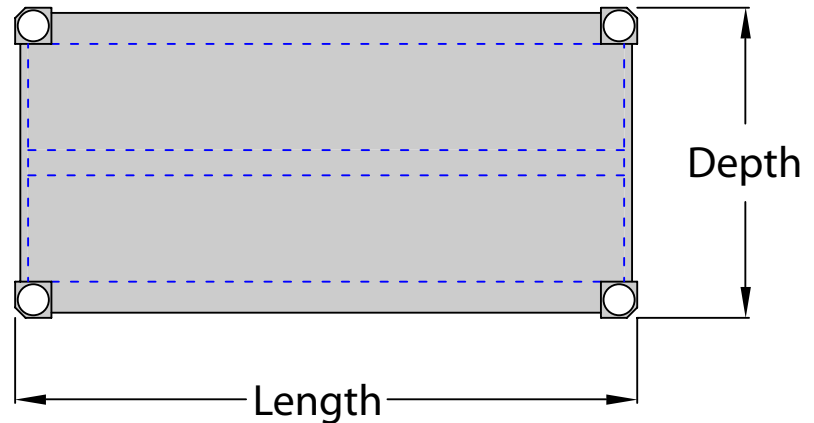
- Solid Brute Series | Heavy Duty

Adjustable Shelving Units

-Solid Brute Series Shelves

Ordering Code	Shelf Size D-L	Unit Height	Net Lbs.	Ship Lbs.
Two-Tier				
22436BB5	24" x 36"	54"	30.2	35.6
22448BB5	24" x 48"	54"	35.4	45
Three-Tier				
31836HH6	18" x 36"	68"	37.2	40.5
31830BB6	18" x 30"	68"	36.4	41.4
31836BB6	18" x 36"	68"	44.4	41.4
31842BB6	18" x 42"	68"	43.2	48.9
31848BB6	18" x 48"	68"	46.9	51.9
31860BB6	18" x 60"	68"	54	59.4
31872BB6	18" x 72"	68"	61.2	66.9
32036BB6	20" x 36"	68"	41.2	45.9
32048BB6	20" x 48"	68"	48.4	56.4
32054BB6	20" x 54"	68"	52.3	60.6
32430BB6	24" x 30"	68"	39.1	45.9
32436BB6	24" x 36"	68"	43	49.8
32442BB6	24" x 42"	68"	46.9	54.6
32448BB6	24" x 48"	68"	50.8	63.9
32460BB6	24" x 60"	68"	58.6	69.6
32460BB7	24" x 60"	76"	60.1	71.2
Four-Tier				
41536BB7	15" x 36"	76"	49.6	54
41548BB7	15" x 48"	76"	58.8	62
41836BB7	18" x 36"	76"	50	54
41848BB7	18" x 48"	76"	59.6	66
41860BB7	18" x 60"	76"	69.2	76
42036BB7	20" x 36"	76"	52	58
42042BB7	20" x 42"	76"	56.8	65.2
42048BB6	20" x 48"	68"	60.1	70.4
42048BB7	20" x 48"	76"	61.6	72
42424BB7	24" x 24"	76"	436	48
42430BB7	24" x 30"	76"	49.2	58
42436BB7	24" x 36"	76"	54.4	63.2
42442BB7	24" x 42"	76"	59.6	69.6
42448BB7	24" x 48"	76"	64.8	82
42460BB7	24" x 60"	76"	75.2	89.6
42472BB7	24" x 72"	76"	94	108.8
Five-Tier				
51854BB6	18" x 54"	68"	75.2	84.4
51854BB8	18" x 54"	68"	78.2	86.4
51860BB8	18" x 60"	68"	84.2	91.4
51872BB6	18" x 72"	68"	93.2	101.9

Posts are marked in 2" increments.



MATERIAL:

- Framework is constructed of 1½" x 1 ¾" x .125" wall angle. Laterals are constructed of 1¼" x 1¼" x .070" wall tubing.
- Each shelf has a removable top constructed out of .040" aluminum sheet.
- Posts are constructed of 1½" diameter pipe and are marked at 2" intervals.

GUARANTEE:

- Lifetime Guarantee against rust and corrosion.
- Lifetime Guarantee against workmanship and material defects.



Project: _____

Item: _____

Quantity: _____

Adjustable Shelving Units - Solid Series | Standard



Standard Solid shelves provide a smooth surface that includes a 1/8" raised marine edge that provides additional strength and contains small drips and leaks.

These lighter duty aluminum shelves get smaller product organized with a **weight capacity of 400lbs per shelf.**

- One-Year Guarantee against workmanship and material defects.
- Lifetime Guarantee against rust and corrosion.
- NSF Certified.



New Age Industrial Corp., Inc. || NewAgeIndustrial.com || Made in the USA

PO Box 520 • 16788 US Hwy 36 • Norton, Kansas 67654 || Phone: (800) 255-0104 • (785) 877-5121 || Fax: (877)-877-7687 • (785) 877-2616



This information is for general sales and engineering use only. New Age Industrial reserves the right to modify or make changes at any time, without notice, to materials and specifications.

Adjustable Shelving Units

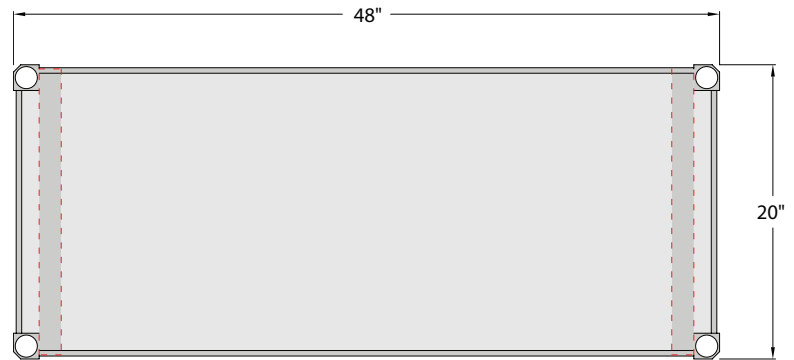
- Solid Series | Standard

Adjustable Shelving Units

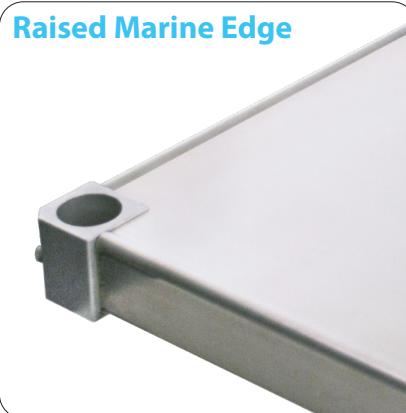
-Solid Series Shelves

Ordering Code	Shelf Size D-L	Unit Height	Net Lbs.	Ship Lbs.
Two-Tier				
21836SS5	18" x 36"	54"	22.4	25.6
21848SS5	18" x 48"	54"	24.8	28
Three-Tier				
31548SS6	15" x 48"	68"	33.5	37.2
31836SS6	18" x 36"	68"	31.3	34.8
31848SS6	18" x 48"	68"	34.9	38.4
32036SS6	20" x 36"	68"	33.4	36
32048SS6	20" x 48"	68"	37.3	41.4
Four-Tier				
41836SS7	18" x 36"	76"	38.8	43.2
41842SS7	18" x 42"	76"	41.2	45.6
41848SS6	18" x 48"	68"	42.1	46.4
41848SS7	18" x 48"	76"	43.6	48
42030SS7	20" x 30"	76"	38.8	42
42036SS7	20" x 36"	76"	41.6	44.8
42042SS7	20" x 42"	76"	44	48
42048SS7	20" x 48"	76"	46.8	52
Five-Tier				
51836SS6	18" x 36"	68"	43.3	47.4
51836SS8	18" x 36"	84"	46.2	50.4
51842SS8	18" x 42"	84"	49.2	53.4
51848SS8	18" x 48"	84"	52.2	56.4
52036SS8	20" x 36"	84"	49.7	52.4
52048SS8	20" x 48"	84"	56.2	61.4

Posts are marked in 2" increments.



- Constructed of 18 gauge, .040" thick aluminum sheet with 1 1/2" x 1 1/2" x .070" tubing supports underneath.
Note: sheet is not removable
- Adjustable corner collars are welded in all four corners. Each shelf is reinforced with two 1 1/2" x 1 1/2" x .070" wall tubes.
- One-Year Guarantee against workmanship and material defects.
- Lifetime Guarantee against rust and corrosion.



Project: _____

Item: _____

Quantity: _____

Adjustable Shelving Units

- Base: HD Series | Heavy Duty

Uppers: Solid Brute Series | Heavy Duty



Ideal for smaller, lighter items, solid shelves feature a smooth surface that is easy to clean and allows boxes to slide for effortless loading and unloading.

Ideal for larger, heavier items, H.D. Bar shelving is similar to a dunnage rack.

- **Weight capacity= 800 lbs. per shelf.**

- **Weight capacity =2000 lbs. per shelf.**



Ordering Code	Shelf Size D-L	Unit Height	Net Lbs.	Ship Lbs.
Three-Tier				
31842HB6	18" x 42"	68"	41.8	46.4
31848HB6	18" x 48"	68"	45.2	48.9
32036HB6	20" x 36"	68"	39.7	44.1
32442HB6	24" x 42"	68"	46.5	52.8
32448HB6	24" x 48"	68"	50.4	60.6
32460HB6	24" x 60"	68"	58.2	68.5
Four-Tier				
41830HB7	18" x 30"	76"	44.4	50.3
41836HB6	18" x 36"	68"	47.2	53.1
41836HB7	18" x 36"	76"	48.8	54.7
41848HB6	18" x 48"	68"	56.4	63.4
41848HB7	18" x 48"	76"	58	65
41860HB6	18" x 60"	68"	65.6	71.7
41860HB7	18" x 60"	76"	67.2	73.3
42036HB7	20" x 36"	76"	50.6	56.2
42048HB5	20" x 48"	76"	55.4	66.8
42048HB6	20" x 48"	68"	58.2	69.2
42048HB7	20" x 48"	76"	59.8	70.8
42442HB7	24" x 42"	76"	59.3	67.8
42448HB7	24" x 48"	76"	64.5	78.7
42460HB7	24" x 60"	76"	74.9	88.5
Five-Tier				
51860HB8	18" x 60"	84"	80.8	88.7
52436HB8	24" x 36"	84"	65.5	73.6
52448HB8	24" x 48"	84"	78.4	95.6
52460HB8	24" x 60"	84"	91.4	107.3

Posts are marked in 2" increments.



Project: _____

Item: _____

Quantity: _____

Adjustable Shelving Units

- Base: HD Series | Heavy Duty

Uppers: Solid Series | Standard



Standard Solid shelves provide a smooth surface that includes a 1/8" raised marine edge that provides additional strength and contains small drips and leaks.

- **Weight capacity = 400 lbs. per shelf.**



Ideal for larger, heavier items, H.D. Bar shelving is similar to a dunnage rack.

- **Weight capacity = 2000 lbs. per shelf.**



Ordering Code	Shelf Size D-L	Unit Height	Net Lbs.	Ship Lbs.
Three-Tier				
31836HS6	18" x 36"	68"	32.8	36.7
31848HS6	18" x 48"	68"	37.2	40.7
Four-Tier				
41836HS7	18" x 36"	76"	40.4	45.1
41848HS6	18" x 48"	68"	44.4	49.9
41848HS7	18" x 48"	76"	46	51.5
Five-Tier				
51848HS8	18" x 48"	84"	54.6	59.9

Posts are marked in 2" increments.

Project: _____

Item: _____

Quantity: _____

Adjustable Shelving Units

- Base: T-Bar Series | Heavy Duty

Uppers: Solid Brute Series | Heavy Duty



Ideal for smaller, lighter items, solid shelves feature a smooth surface that is easy to clean and allows boxes to slide for effortless loading and unloading.

- **Weight capacity = 800 lbs. per shelf.**



T-Bar is spaced to allow air to circulate to stored items, excellent for perishables.

- **Weight capacity = 1500 lbs. per shelf.**



Ordering Code	Shelf Size D-L	Unit Height	Net Lbs.	Ship Lbs.
Four-Tier				
41848TB7	18" x 48"	76"	59.4	65
41860TB7	18" x 60"	76"	69.1	74.6
42436TB7	24" x 36"	76"	54.5	61.9
42448TB7	24" x 48"	76"	65.3	81
Five-Tier				
52442TB8	24" x 42"	84"	72.1	82
52448TB8	24" x 48"	84"	79.2	97.9
52472TB8	24" x 72"	84"	106.4	129.8

Posts are marked in 2" increments.

Project: _____

Item: _____

Quantity: _____

Adjustable Shelving Units

- Base: HD Series | Heavy Duty

Uppers: Solid Series | Standard



42048TS6



Upper: Solid Series

Standard Solid shelves provide a smooth surface that includes a 1/8" raised marine edge that provides additional strength and contains small drips and leaks.

- **Weight capacity = 400 lbs. per shelf.**



Base: T-Bar Series

T-Bar is spaced to allow air to circulate to stored items, excellent for perishables.

- **Weight capacity = 1500 lbs. per shelf.**

Ordering Code	Shelf Size D-L	Unit Height	Net Lbs.	Ship Lbs.
Four-Tier				
42036TS7	20" x 36"	76"	43	47.3
42042TS7	20" x 42"	76"	45.9	50.2
42048TS6	20" x 48"	68"	48	53.2
42048TS7	20" x 48"	76"	49.6	54.6

Posts are marked in 2" increments.