

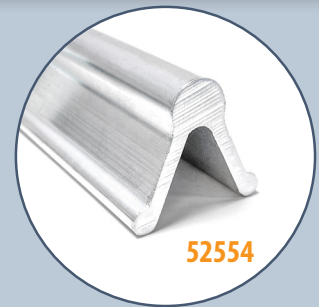
Smokesticks

Smoke 'Em
If You
Got 'Em



Achieve superior smoking results with the strongest Smokesticks on the market. Smokesticks are made from primary grade aluminum to ensure they can support the weight of the meat and withstand the heat of the smoker.

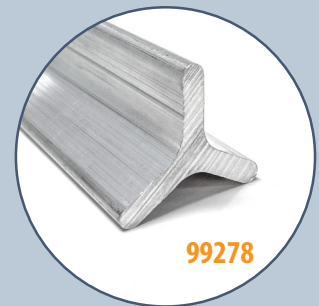
- ✓ **Unmatched Strength:** Wishbone- and Y-Shapes provide additional strength and rigidity compared to a straight rod, allowing it to support heavier loads. Smokesticks are used for hanging sausages, fish, or other meats inside a smoker.
- ✓ **Effortless Cleaning & Superior Sanitation:** Maintaining a hygienic smoking environment is paramount. Smooth, easy clean radius and innovative designs ensure complete water drainage, regardless of positioning. This eliminates the risk of water pooling and promotes a sanitary smoking environment.
- ✓ **Premium Materials:** Crafted from high-grade primary aluminum, these Smokesticks are built to withstand the demands of professional smokers and are Guaranteed to never rust or corrode.
- ✓ **Versatile Functionality:** The 42-inch length provides ample hanging space and can be easily customized to fit your specific needs.
- ✓ **Made-to-Order Quality:** Meticulously crafted with precision and unwavering attention to detail, Smokesticks guarantee consistent quality and exceptional performance.



52554

Wishbone Smokesticks

- Boast a rigid, heavy-wall backbone (11/64") which eliminates concerns about breaking or warping, even when supporting significant loads up to 180 lbs.
- At its maximum capacity, the Wishbone Design Smokestick maintains minimal deflection (approximately 0.5").



99278

Y-Shaped Smokesticks

- Compact 1" x 1.18" profile ensures efficient use of smoker space.

NEWAGE
INDUSTRIAL
NEWAGE

NewAgeIndustrial.com | Made in the USA

Smokesticks

42" Wishbone Smokestick

Product Dims: 42" L x 1.1" H x 1.1" D

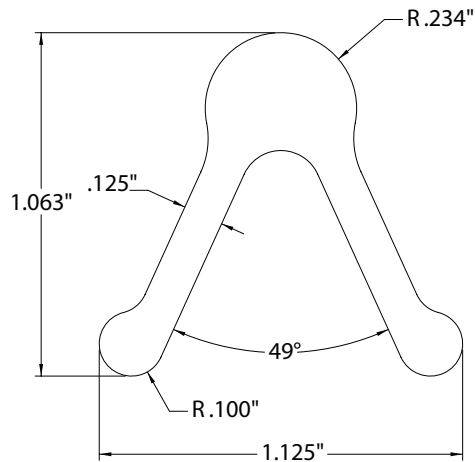
Product Weight: 1.45 lbs

Weight Capacity: 180 lbs (uniformly distributed)
– point load is 90 lbs

Shipping Dims: 43" L x 1.25"H x 1.25" D

Shipping Weight: 1.55 lbs

Order Quantity: Made to order.
Must be ordered in multiples of 1 billet.
(Approximate multiples of 40 ea.)



42" Y-Design Smokestick

Product Dims: 42" L x 1" H x 1.18" W

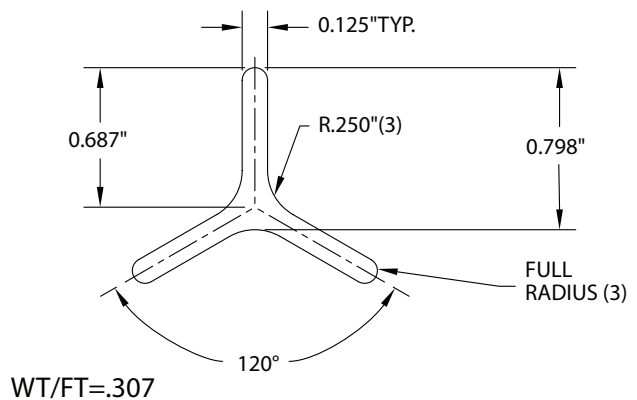
Product Weight: 1 lbs

Weight Capacity: 100 lbs (uniformly distributed)
– point load is 50 lbs

Shipping Dims: 43" L x 1.25" H x 1.37" W

Shipping Weight: 1.1 lbs

Order Quantity: Made to order.
Must be ordered in multiples of 1 billet.
(Approximate multiples of 58 ea.)



Lifetime Guarantee against rust and corrosion.