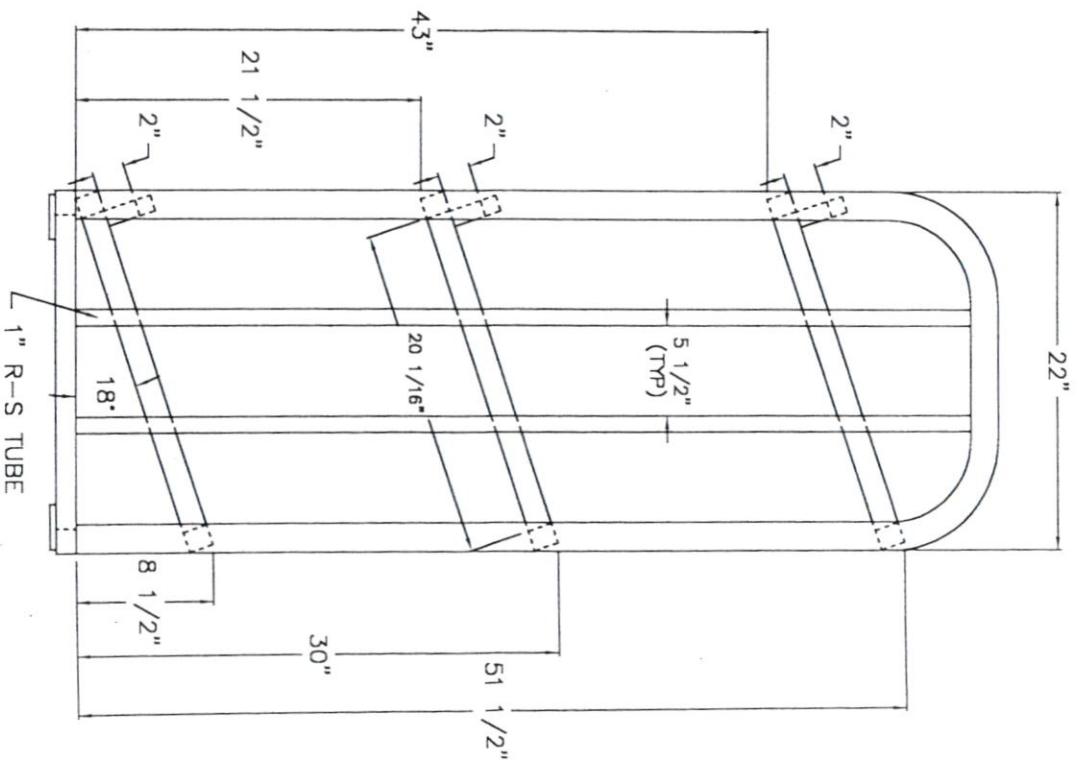


NOTE: REQUIRES 5" PLATFORM CASTERS  
TWO SWIVEL(C450), TWO RIGID(C460).



NEW AGE INDUSTRIAL CORP., INC.

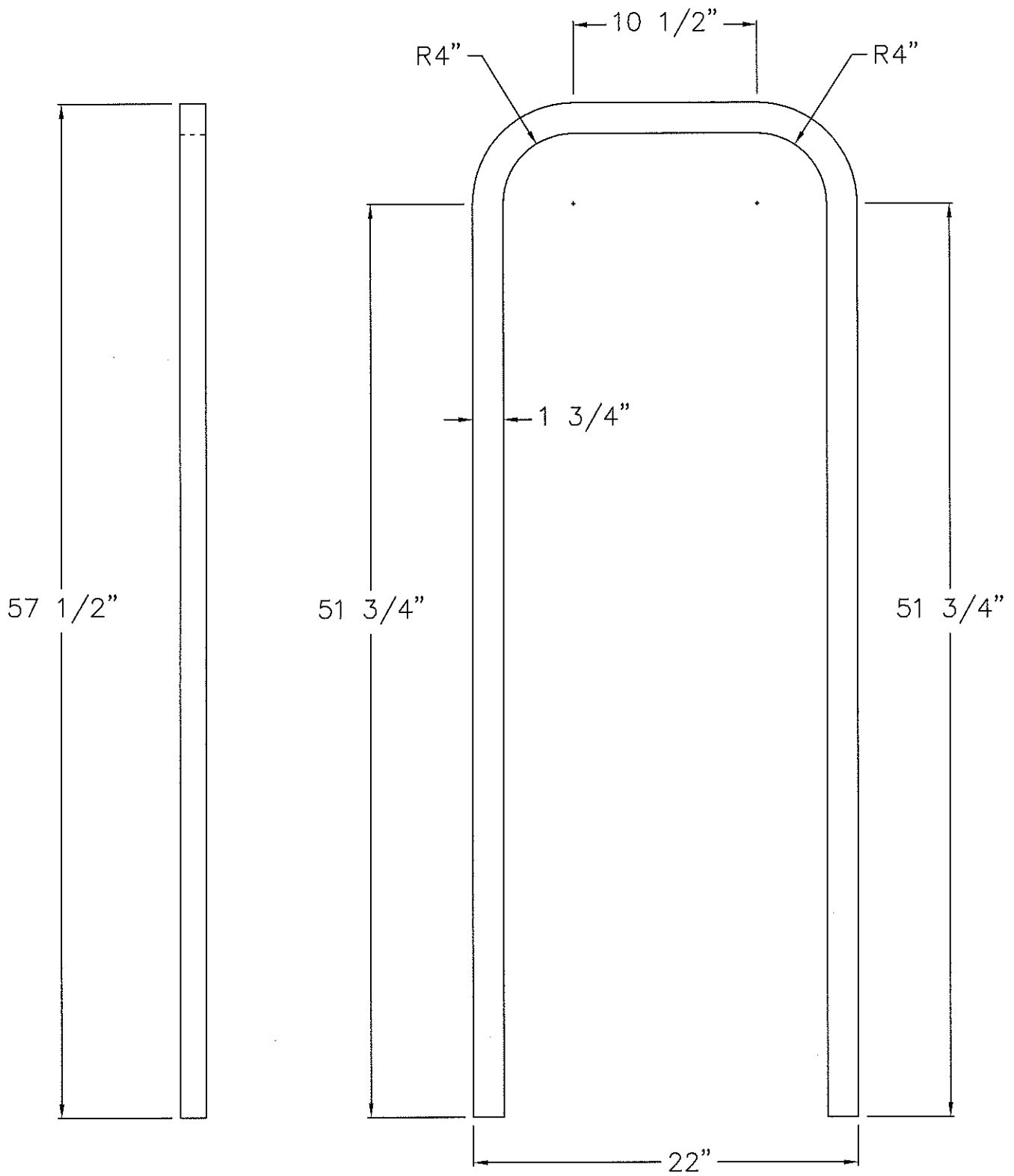
NORTON, KANSAS 67654

1-800-255-0104

(FAX) 1-785-877-2616

DATE	SUB DIR	MODEL	DRN. BY
7/7/14	2014	51230	DHC

SLANTED LUG MERCHANDISER



NEW AGE INDUSTRIAL CORP., INC.

NORTON, KANSAS 67654

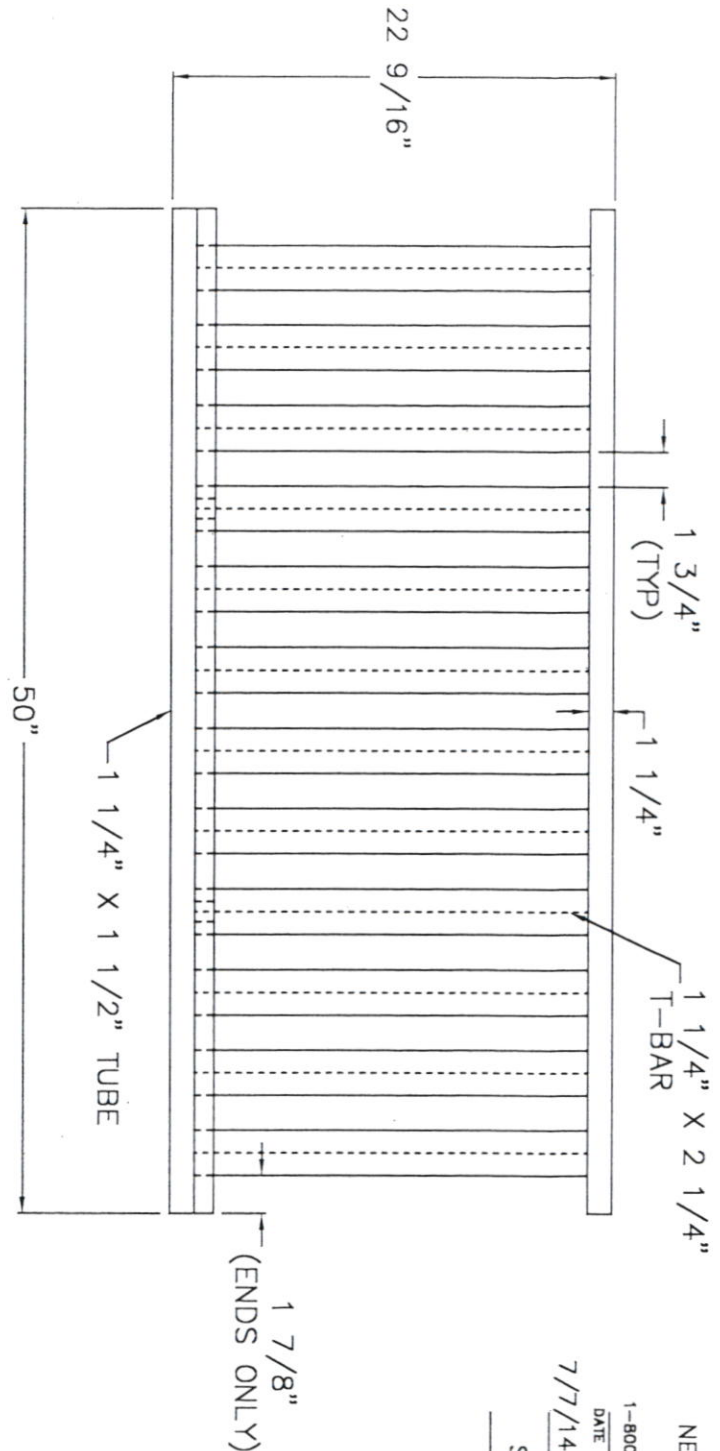
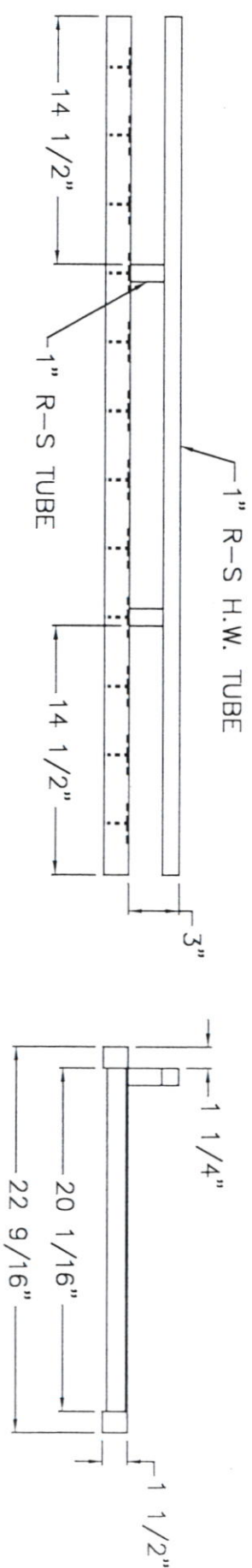
1-800-255-0104

(FAX) 1-785-877-2616

DATE	SUB DIR	MODEL	DRN. BY
7/7/14	2014	51230	DHC

SLANTED LUG MERCHANDISER

MATERIAL: 1 1/2" X 1 3/4" TUBE  
ISR: 4"



NEW AGE INDUSTRIAL CORP., INC.  
 NORTON, KANSAS 67654  
 1-800-255-0104 (FAX) 1-785-877-2616

DATE	SUB DIR	MODEL	DRN. BY
7/7/14	2014	51230	DHC

SLANTED LUG MERCHANDISER

T-BAR SHELF: 3 REQUIRED