

Job: _____

Item: _____

Quantity: _____

#96005C - Room Service Delivery Cart

- All-welded, aluminum construction is lightweight yet durable.
- Holds 15" x 20" trays with space on the bottom for bus trays.
- Special cover helps protect contents.
- Equipped with vertical corner bumpers at the top, a full perimeter bumper at the bottom and a vertical pan stop.
- 6" platform casters provide easy maneuverability.

Material:

Base is constructed of 1½" x 1½" x .070" wall tubing, upper frame is constructed of 1¼" x 1¼" x .070" wall tubing, angle runners are 1¼" x 1½" x .070" wall angle, and base is covered with .063" aluminum sheet. The top has a removable tray that is constructed out of .063" sheet.

Casters:

This cart is equipped with four 6" platform type casters. Two are swivel and two are rigid. Non-marking wheels protect floors and minimize noise.

Guaranteed to Last:

Lifetime Guarantee against rust and corrosion as well as a **Five-Year Guarantee** against material defects and workmanship.

NSF Certified.



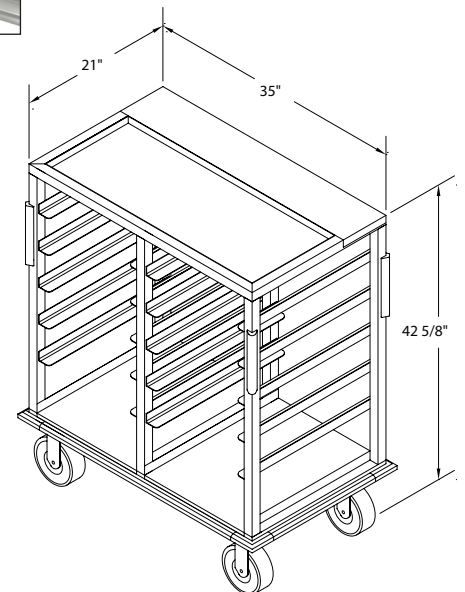
Model No.	Size W-H-D	Runner Spacing	Pan Cap.	Ship Lbs.
96005C	36¾" x 42¾" x 23"	5"	12	54

Accommodates 15" x 20" trays

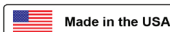
Four 6" platform type casters; two swivel w/ brake (#C511), two rigid (#C518).



Removable Tray Top



This information is for general sales and engineering use only. New Age Industrial reserves the right to modify or make changes at any time without notice to materials and specifications.



Distributed by: