

Project: _____

Item: _____

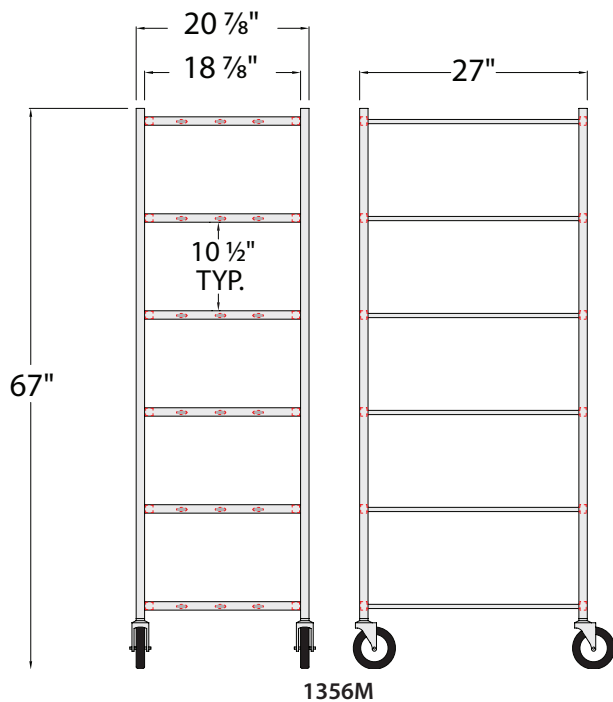
Quantity: _____

Universal Cart - Standard



Universal Carts are the most used, multi-purpose carts for transporting various sizes of platters, trays, boxes, and lugs. These all-welded carts are used in all departments of supermarkets including produce, bakery, meat, and deli. Rounded bar-style channels provide easy on, easy off product access from the front, back, or either side of the units. They are easy to maneuver, utilizing four stem type swivel casters.

- Framework is constructed out of 1" x 1" x .070" wall tubing.
- Shelves are constructed out of 1/2" x 1 1/4" oval tubing.
- Equipped with four 5" stem type swivel casters.
- One-Year Guarantee against material defects and workmanship.
- Lifetime Guarantee against rust and corrosion.
- NSF Certified.



► Universal Cart - Standard

Model No.	Size W-H-L	Pan Capacity	Runner Spacing	Ship Lbs.
For Platters, Pans, or Boxes Up To 18"W x 26"L				
1356M	20 7/8" x 67" x 27"	6	10 1/2"	45

Four 5" stem type swivel casters.

Options: Options may not be NSF Certified. Contact the factory.

Caster Locks (2) - Add "CL" suffix to model #.

Vertical Bumpers (4) - Add "VB" suffix to model #.

PAN SIZES:

10" x 20" Roast & Bake Pans • 20" x 22" Roast & Bake Pans • 18" x 26" Roasting Pans • 18" x 26" Bun Pans • 18" x 13" Bun Pans • 12" x 20" Steam Table Pans • 20 3/4" x 25 1/2" European Std. GastroNorm Pans • 15" x 20" Service Tray • 14" x 18" Service Tray • 20" x 20" Cup & Glass Racks



New Age Industrial Corp., Inc. || NewAgeIndustrial.com || Made in the USA

PO Box 520 • 16788 US Hwy 36 • Norton, Kansas 67654 || Phone: (800) 255-0104 • (785) 877-5121 || Fax: (877)-877-7687 • (785) 877-2616

This information is for general sales and engineering use only. New Age Industrial reserves the right to modify or make changes at any time, without notice, to materials and specifications.