

Job: _____

Item: _____

Quantity: _____

Extreme Duty Utility Cart

These two-tier units are ideal for use in coolers, freezers, and dry storage. The heavy-duty design will transport heavy loads up to 1500lbs. per shelf or 2000lbs. rolling capacity.

- Framework is constructed out of 1 1/2" x 1 1/2" x .70" wall tubing.
- Shelves are constructed of .080" thick aluminum sheet.
- Equipped with four 6" platform type casters, two swivel and two rigid.
- Five-Year Guarantee against material defects and workmanship.
- Lifetime Guarantee against rust and corrosion.



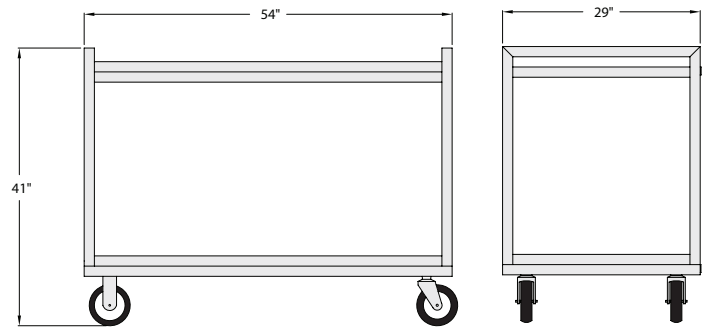
97177

Model No	Size W-H-L	Shelf Size	Shelf Spacing	Ship Lbs.
97177	22" x 41" x 37"	21 3/4" x 33 5/8"	27"	66
97178	22" x 41" x 54"	21 3/4" x 50 5/8"	27"	82
97179	29" x 41" x 37"	28 3/4" x 33 5/8"	27"	72
97180	29" x 41" x 54"	28 3/4" x 50 5/8"	27"	142

Four 6" heavy duty polyurethane platform type casters: two swivel (#C510) and two rigid (#C518).

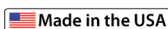
Options:

"B", "CL(C)", "PB", "PP(A)", "VB" — see catalog for more information.



97180

This information is for general sales and engineering use only. New Age Industrial reserves the right to modify or make changes at any time without notice to materials and specifications.



Distributed by: