

Pick/Put Wall & Cart

DWG54431 = Cart
DWG54548 = Wall



Aluminum Wall Frame and Cart for AMR Assisted Pick/Put Systems.

Increase your productivity.

Lightweight Aluminum Frames and Carts allow a modular option for automated Pick/Put Systems. AMR-Assisted pick/put walls combine Autonomous Mobile Robots with static or mobile tiered picking carts, where light-directed technology guides operators to sort items into order bins, reducing employee travel time, and improving accuracy in order fulfillment; Particularly for e-commerce.

Pick/Put Frames are equipped with heavy duty, extruded light bar channels which are easily fitted with your chosen pick-to-light system.



DWG54431



DWG54548



DWG54431 | Cart

DWG54548 | Wall

DWG54431 | Cart

Dimensions = 26" W x 71 15/16" H x 47" D
Net Weight = 94 lbs.

DWG54548 | Pick/Put Wall

Dimensions = 56 1/4" x 74" H x 23" D
Net Weight = 35 lbs.



NewAgeIndustrial.com | Made in the USA



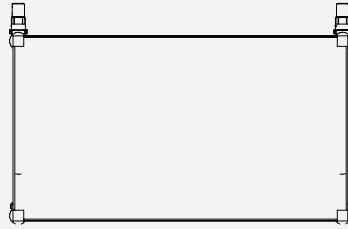
Heavy-duty aluminum light bar channels accommodate Pick-to-Light fixtures.



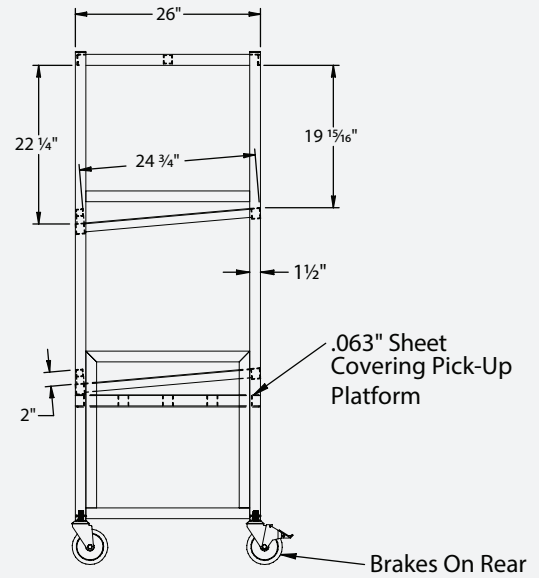
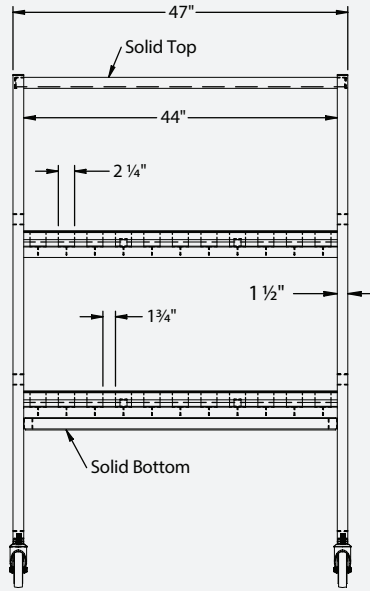
Instead of manual carts, AMRs act as intelligent transport, bringing picked inventory from storage to the put wall station.

For more information, contact us today. Get a **FREE QUOTE** and explore our endless customization options.

- ✓ **Reduced Labor:** Personnel remain in their zone to pick or pack, while robots handle travel.
- ✓ **Increased Productivity:** Light-directed systems facilitate orders being completed faster.
- ✓ **Scalability:** The New Age Pick/Put Wall System can be easily adapted, with more frames and carts as needed. Lightweight units are easily relocated and expanded.



DWG54431 | Cart



DWG54548 | Wall

