

Job: \_\_\_\_\_

Item: \_\_\_\_\_

Quantity: \_\_\_\_\_

## 15" x 20" Tray Rack

These racks are specially designed to hold 15" x 20" trays. Ribbed angle glides hold the trays by the bottom, to insure an equal load distribution.

- Framework is constructed of 1" x 1" x .070 wall tubing, all welded aluminum for a rigid design.
- Angle slides are 1 1/4" x 2" x .100" wall angle.
- Equipped with four, stem type, 5" diameter casters, full swivel design with non-marking wheels
- Five-Year Guarantee against material defects and workmanship.
- Lifetime Guarantee against rust and corrosion.
- NSF Certified.



NS834A



NS833

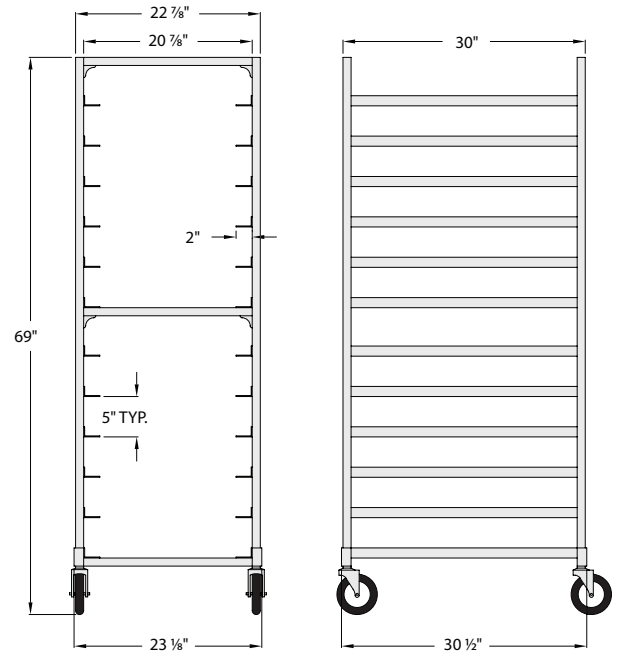


Model No.	Size W-H-D	Pan Cap.	Runner Spacing	Ship Lbs.
<b>Side Loading Unit</b>				
NS833	23 7/8" x 69" x 30 1/2"	24	5"	41
<b>End Loading Unit</b>				
NS832	17 7/8" x 69" x 21"	12	5"	32
<b>Side Loading Unit - Double Deep with Stainless Steel Top</b>				
NS834	23 7/8" x 38" x 30"	12	5"	42
<b>Side Loading Unit - Double Deep, No Top</b>				
NS834A	23 7/8" x 38" x 30"	12	5"	30

Four 5" stem type casters (#C480).

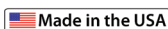
**Options:**

"CL(A)", "E", "MD", "PS", "VB" — see catalog for details.



NS833

This information is for general sales and engineering use only. New Age Industrial reserves the right to modify or make changes at any time without notice to materials and specifications.



Distributed by: