

Project: _____

Item: _____

Quantity: _____

Folding Sheet Pan Rack

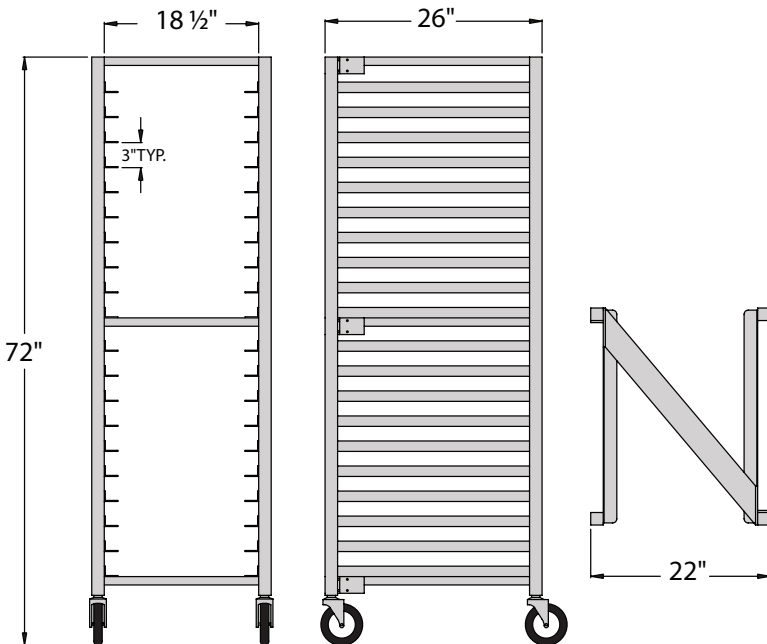


98678

This units folds to make it ideal for set-up and preparation at off site and non-traditional locations using standard size sheet pans.

When the job is complete, fold it up and store it. The Folding Sheet Pan Rack takes up **1/3 LESS** storage space than traditional racks. Racks easily fold up with no tools required.

- Uprights are constructed out of 1½" x 1½" x .070" wall tubing.
- Angle runners are 1¼" x 1⅝" x .100" wall angle.
- Crossbars are constructed out of 1" x 3" x .125" wall tubing.
- Equipped with four 5" stem type swivel casters.
- Lifetime Guarantee against rust and corrosion.
- One-Year Guarantee against workmanship and material defects.



98678

Model No.	Size W-H-D	Pan Cap.	Runner Spacing	Ship Lbs.
98678	22" x 72" x 26"	18	3"	58

Four 5" stem type swivel casters; two (C482), with brake (C483).

Overall Dimensions: 22" W x 72" H x 26" D

Folded Dimensions: 7½" W x 72" H x 26" D



New Age Industrial Corp., Inc. || NewAgeIndustrial.com || Made in the USA

PO Box 520 • 16788 US Hwy 36 • Norton, Kansas 67654 || Phone: (800) 255-0104 • (785) 877-5121 || Fax: (877)-877-7687 • (785) 877-2616

This information is for general sales and engineering use only. New Age Industrial reserves the right to modify or make changes at any time, without notice, to materials and specifications.