

Project: _____

Item: _____

Quantity: _____

Transport/Retrieval Racks



97745



97743

These racks are specifically designed to transport and retrieve a large number and variety of trays.

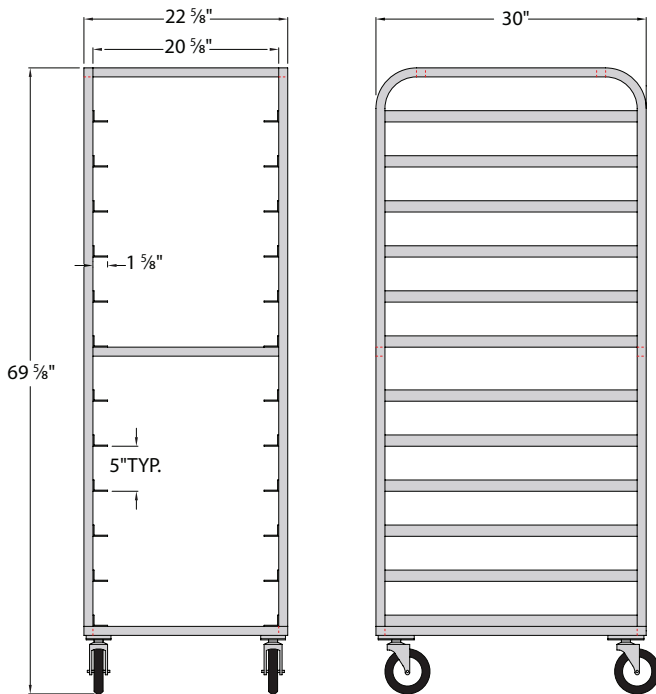
Single Racks:

Framework is constructed of 1" x 1" x .070" wall tubing with 1¼" x 1½" x .100" wall angle.

Double Rack:

Framework is constructed of 1¼" x 1½" x .070" wall tubing with 1⅞" x 2 ½" channel slide angles.

- All racks come equipped with four 5" plate type casters; two swivel, two swivel with brake.
- Lifetime Guarantee against rust and corrosion.
- Five-Year Guarantee against workmanship and material defects.
- NSF Certified.



97744

▶ Transport/Retrieval Rack

Model No.	Size W-H-D	Tray Capacity	Angle Spacing	Ship Lbs.
Tray Retrieval Rack				
97743	20⅜" x 69⅝" x 30"	Below	5"	54
	Tray Capacity = (24) 14" x 18" Trays • (12) 18" x 26" Trays			
97744	22⅝" x 69⅝" x 30"	24	5"	57
	Tray Capacity = (24) 15" x 20" Trays			
97745	20⅜" x 69⅝" x 30"	24	5"	65
	Tray Capacity = (24) 14" x 18" Trapezoid Trays / Round Trays			

Four 5" plate type swivel casters..

OPTIONS: Options may not be NSF Certified. Contact the factory.

- Caster Locks (2)** - Add "CL" suffix to model #.
- Corner Bumpers (4)** - Add "B" suffix to model #.
- Solid Base** - Add "E" suffix to model #.
- Caster Upgrade (6" casters)** - Add "M6" suffix to model #.
- Medical Caster Upgrade** - Add "MD" suffix to model #.
- Vertical Bumpers (4)** - Add "VB" suffix to model #.
- Perimeter Bumper** - Add "PB" suffix to model #.
- Pan Stop** - Add "PS" suffix to model #.



New Age Industrial Corp., Inc. || NewAgeIndustrial.com || Made in the USA

PO Box 520 • 16788 US Hwy 36 • Norton, Kansas 67654 || Phone: (800) 255-0104 • (785) 877-5121 || Fax: (877)-877-7687 • (785) 877-2616

This information is for general sales and engineering use only. New Age Industrial reserves the right to modify or make changes at any time, without notice, to materials and specifications.