

Project: \_\_\_\_\_

Item: \_\_\_\_\_

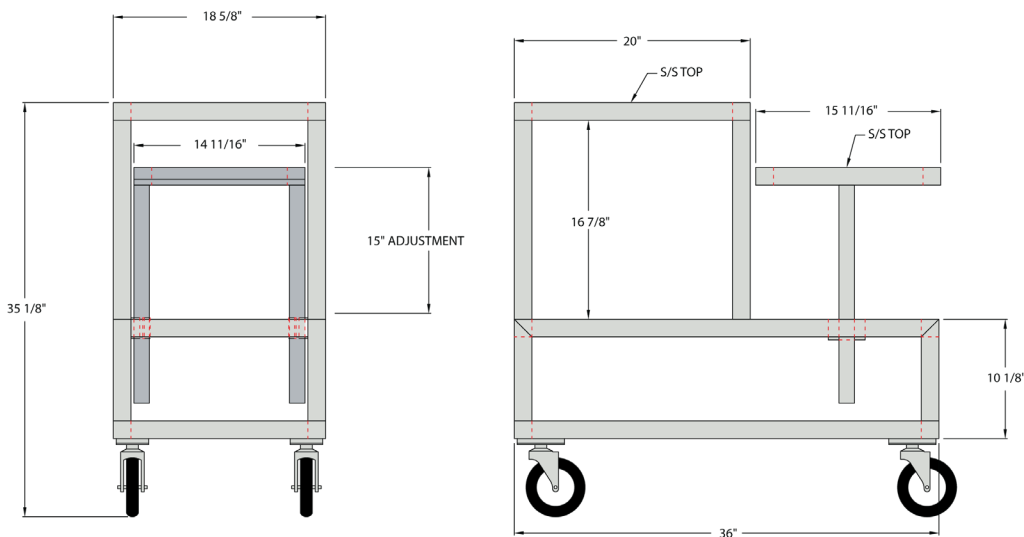
Quantity: \_\_\_\_\_

## Scale Table



- Constructed of 1/2" square tubing welded together to construct a heavy duty frame.
- There are two tops on this table, one stationary and one adjustable, both with removable stainless steel tops.
  - Stationary Top = 20<sup>5</sup>/<sub>16</sub>"W x 18<sup>5</sup>/<sub>8</sub>"D,
  - Adjustable Top = 16"W x 14<sup>1</sup>/<sub>2</sub>"D, with a height adjustment up to 15".
- Equipped with 5" polyurethane platform, two swivel with brake and two rigid.
- Five-Year Guarantee against workmanship and material defects.
- Lifetime Guarantee against rust and corrosion.
- Made in the USA.

Model No.	Size W-H-D
95729A	19" x 35" x 36"



New Age Industrial Corp., Inc. || [NewAgeIndustrial.com](http://NewAgeIndustrial.com) || Made in the USA 

PO Box 520 • 16788 US Hwy 36 • Norton, Kansas 67654 || Phone: (800) 255-0104 • (785) 877-5121 || Fax: (877)-877-7687 • (785) 877-2616

This information is for general sales and engineering use only. New Age Industrial reserves the right to modify or make changes at any time, without notice, to materials and specifications.