

Job: _____

Item: _____

Quantity: _____

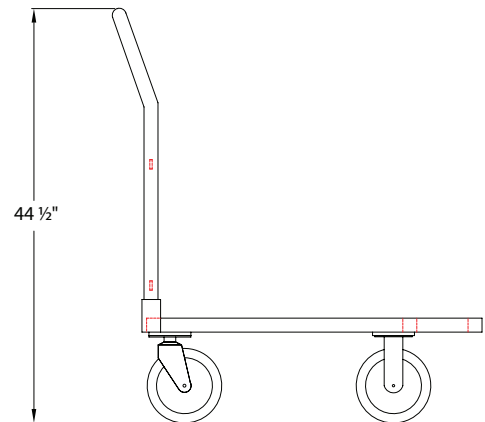
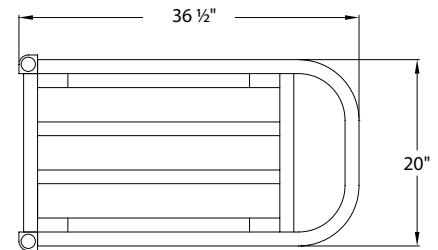
U-Shaped Platform Truck

These all welded aluminum trucks are built to last! Available in several sizes, these heavy-duty platform trucks feature a tube frame and a channel deck to help minimize product fall through. Don't increase your load with a heavy steel truck; Choose a heavy duty, lightweight aluminum truck for you material handling needs.

- Rounded nose helps decrease damaged walls and doors.
- Large 1½" diameter removable pipe handle is easy on the hands.
- Framework and deck is constructed out of 1 ½" Sq tube and 1½" x 3¾" "C" channel. CASTERS:
- Equipped with four 8" x 2" platform type casters, two swivel and two rigid.
- Five-Year Guarantee against material defects and workmanship.
- Lifetime Guarantee against rust and corrosion.



99321



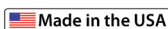
Model No.	Size W-H-L	Deck Size	Weight Capacity	Ship Lbs.
99320	20" x 44½" x 36½"	20" x 36"	2000 lbs.	45
99321	20" x 44½" x 48½"	20" x 48"	2000 lbs.	50
99322	20" x 44½" x 60½"	20" x 60"	2000 lbs.	56
99323	30" x 44½" x 48½"	30" x 48"	2000 lbs.	58
99324	30" x 44½" x 60½"	30" x 60"	2000 lbs.	61

Four 8"x2" platform type casters - 2 swivel (#C526), 2 rigid (#C527).

Options:

- Caster Locks (2)** - Add "CL(C)" suffix to model #.
- Perimeter Bumper** - Add "PB" suffix to model #.
- Prison Package** - Add "PP" suffix to model #.
(tamper proof screws & welded handle)

This information is for general sales and engineering use only. New Age Industrial reserves the right to modify or make changes at any time without notice to materials and specifications.



Distributed by: