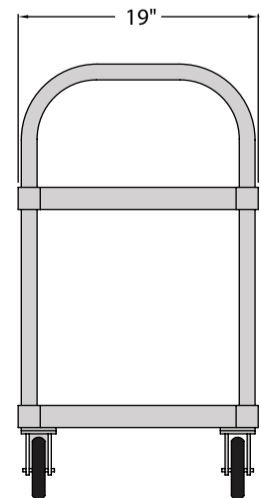
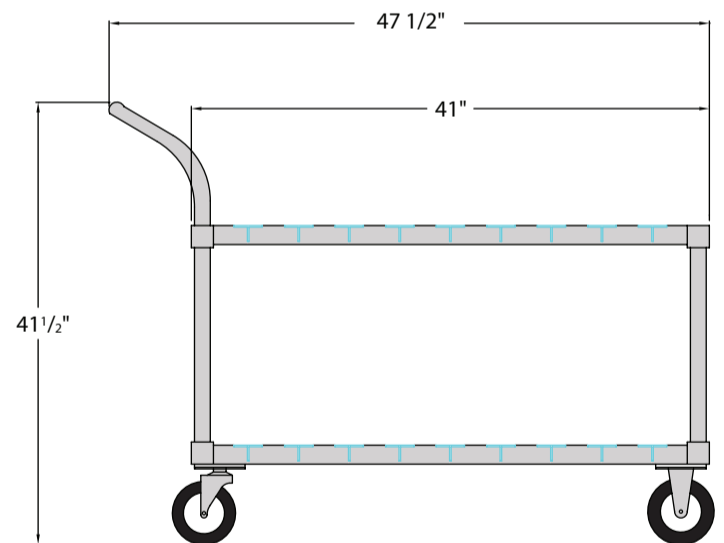


- All welded aluminum carts provide maximum strength and durability.
- The T-Bar shelves provides air circulation.
- Equipped with 5" platform stainless steel type casters.
- Five-Year Guarantee against workmanship and material defects.
- Lifetime Guarantee against rust and corrosion.
- Made in the USA.



Model No	Size W-H-L	Wt. Cap.	No. Casters	Top Shelf Height	Ship Lbs.
T-Bar Top & Bottom Shelf w/ Handle					
1420CST	19" x 39" x 48"	1000#	4	30"	45

Four 5" platform stainless steel type casters - two swivel (#C450SS) two rigid (#C460SS).