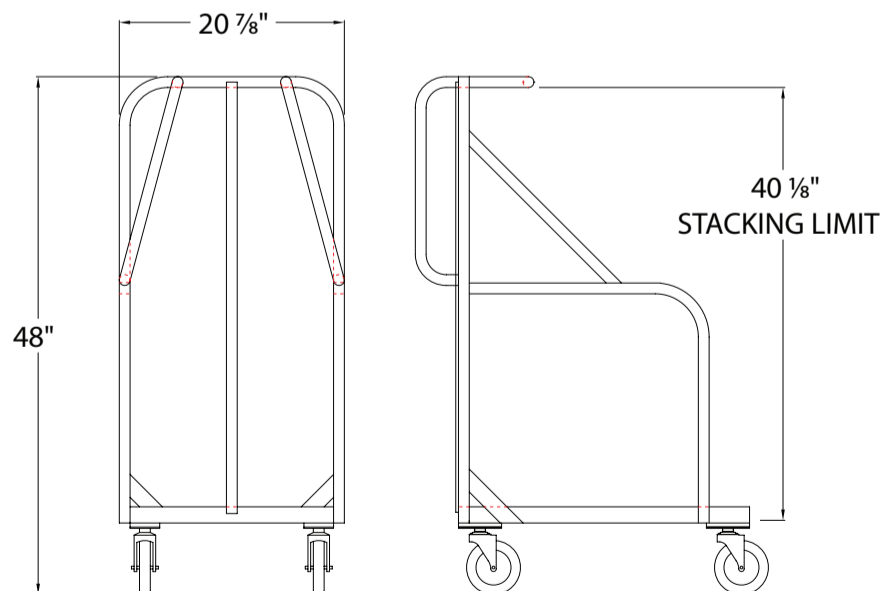
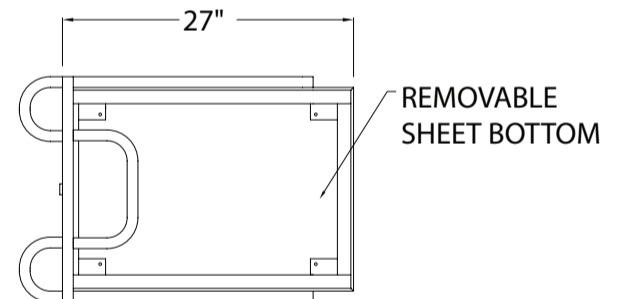


This dolly is designed to hold and transport bun pans.

- Framework is constructed of 2"x 2"x.188" wall angle.
- Ergonomic handles are 1" diameter pipe and .125" wall tubing.
- Removable sheet is constructed out of .080" aluminum sheet.
- Equipped with four non-marking polyurethane 5" plate type stainless steel swivel casters.
- Five-Year Guarantee against workmanship and material defects.
- Lifetime Guarantee against rust and corrosion.
- Made in the USA.
- Custom Manufactured in accordance with NSF standard 2 and "Custom NSF" marked for Costco.



Model No.	Size W-H-L	Weight Capacity
52488CST	20 7/8" x 48" x 31"	1000 lbs