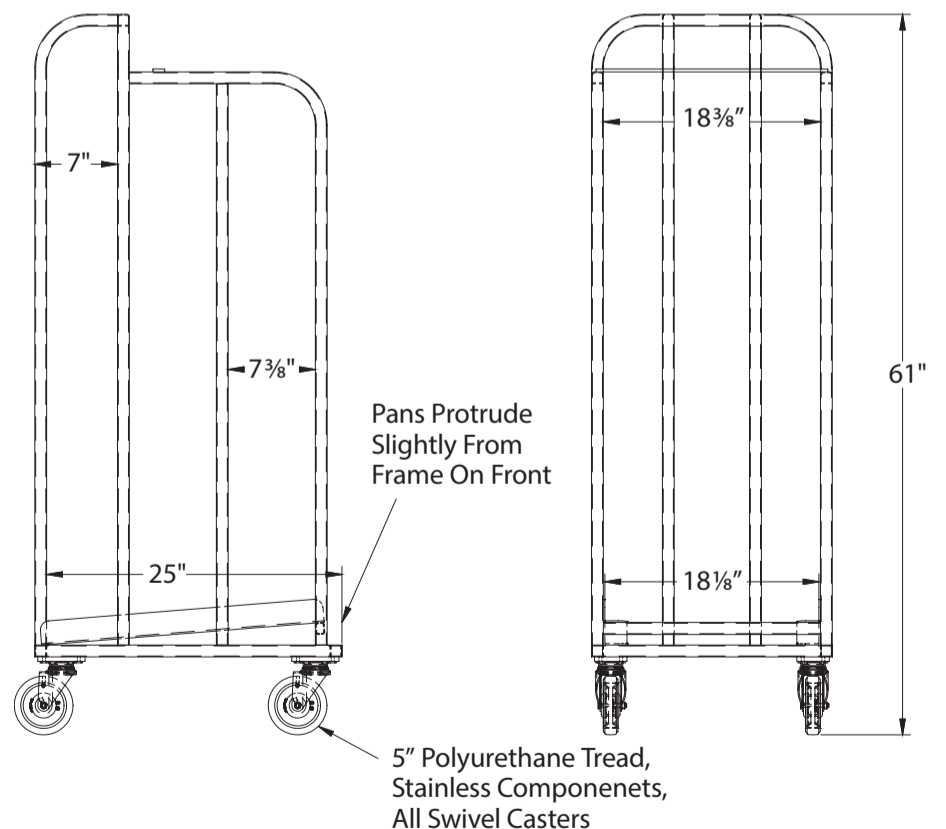
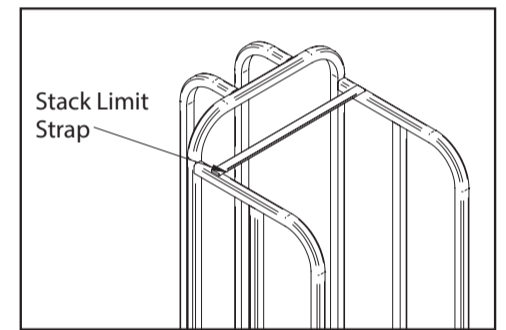
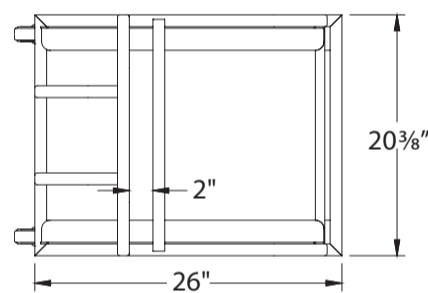


This pan dolly is designed for bulk storage and transport of 18" x 26" perforated Cookie sheet pans.

- Handles and sides are constructed of 1" x 1" x .070" wall tubing. Pans rest on a set of 2" x 2" angles that slope to the back of the frame to stabilize the stack.
- Equipped with four non-marking polyurethane 5" plate type stainless steel swivel casters.
- Five-Year Guarantee against workmanship and material defects.
- Lifetime Guarantee against rust and corrosion.
- Made in the USA.
- Custom Manufactured in accordance with NSF standard 2 and "Custom NSF" marked for Costco.



Model No.	Pan Cap.	Size W-H-D	Ship Lbs.
54177CST	105	20 <sup>3</sup> / <sub>8</sub> " x 61" x 26"	33

Four 5" swivel type plate casters (C450SS) - No brakes.