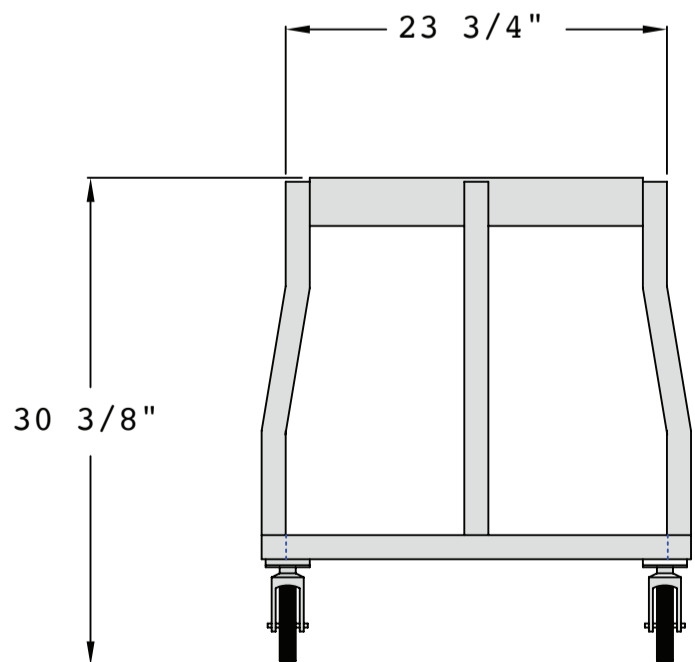
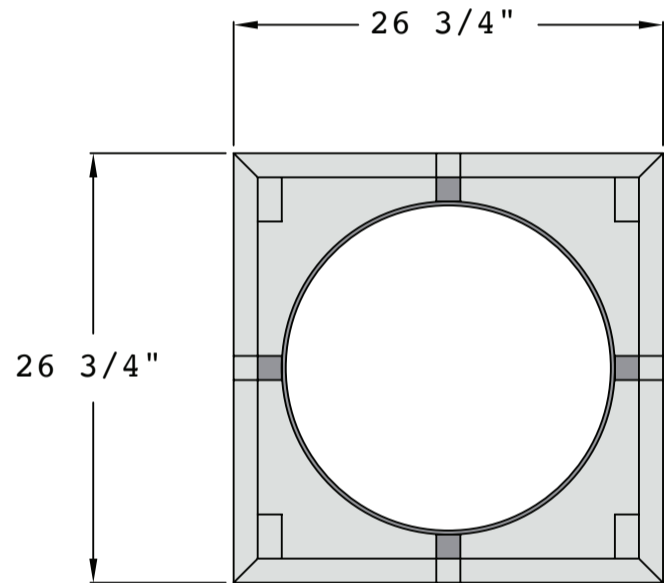


- The frame is constructed of 1½" square tube with four 1½" square tubing legs welded to a ¼" x 3" strap to hold the bowl in place.
- The bowl is table height when inserted into the cart.
- Equipped with four non-marking polyurethane 5" plate type stainless steel swivel casters.
- Five-Year Guarantee against workmanship and material defects.
- Lifetime Guarantee against rust and corrosion.
- Made in the USA.
- Custom Manufactured in accordance with NSF standard 2 and "Custom NSF" marked for Costco.



Model No.	Size W-H-D
95636CST	26 <sup>3</sup> / <sub>4</sub> " x 28 <sup>3</sup> / <sub>4</sub> " x 26 <sup>3</sup> / <sub>4</sub> "