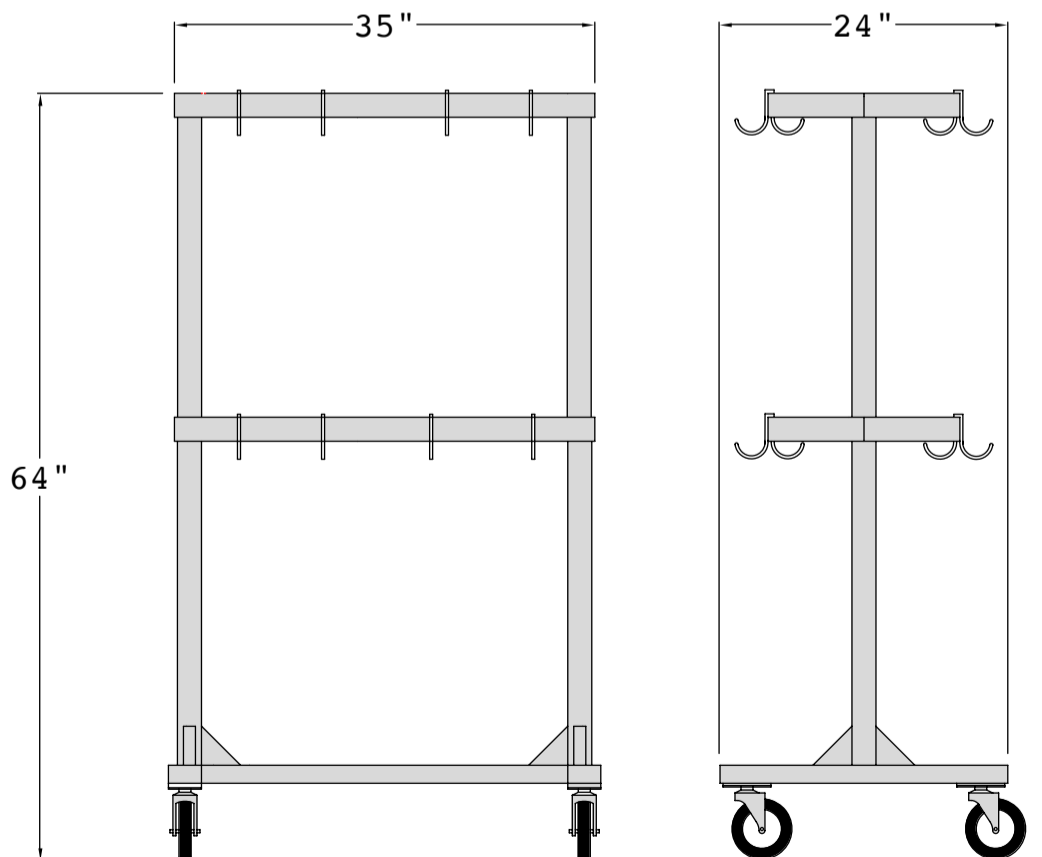


- All welded unit with all seams sealed constructed of Primary Type 6463-T5 aluminum alloy.
- Uprights consist of 2" square tube, .100 wall with 1/4" x 2" strap hoops welded to uprights to form arm.
- Base uses 1 1/2" x 2-3/4" x .070 tube welded in "I" shape with uprights heavily gusseted to base.
- Sixteen adjustable hooks of 1/4" diameter, 304 stainless steel are adjustable along rack arms.
- Equipped with four non-marking polyurethane 5" plate type stainless steel swivel casters.
- Five-Year Guarantee against workmanship and material defects.
- Lifetime Guarantee against rust and corrosion.
- Made in the USA.
- Custom Manufactured in accordance with NSF standard 2 and "Custom NSF" marked for Costco.



Model No.	Size W-H-L	Ship Lbs.
95640CST	24" x 64" x 36"	57

September 2022

This information is for general sales and engineering use only. New Age Industrial reserves the right to modify or make changes at any time without notice to materials and specifications.