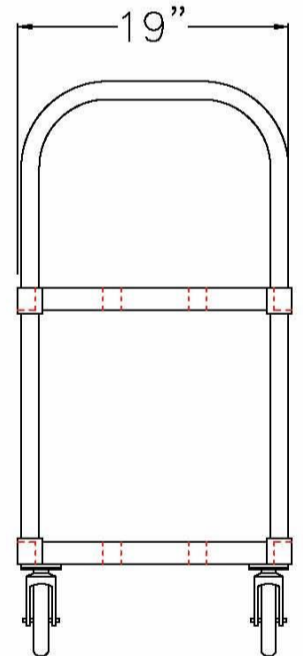
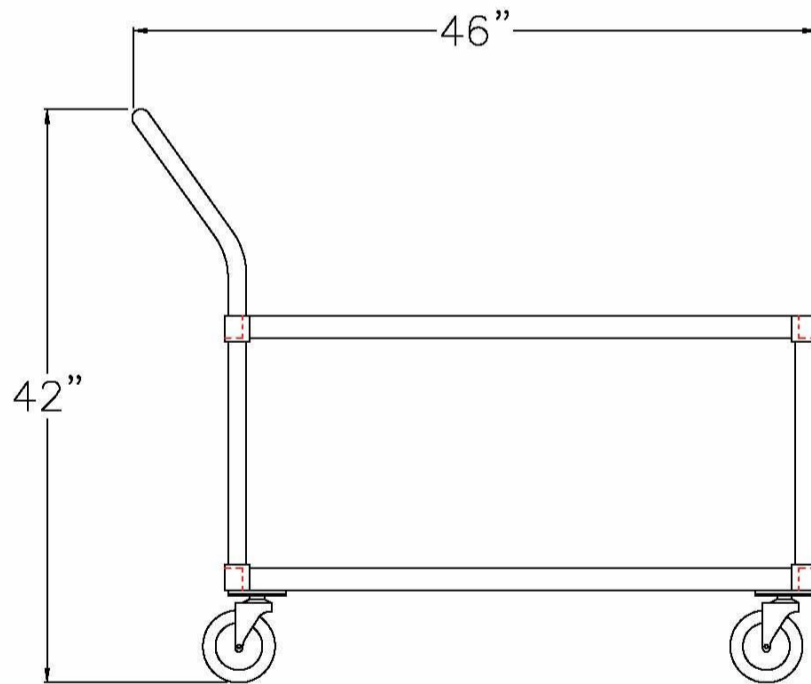


- Equipped with 5" platform type casters. Two swivel and two rigid.
- Five-Year Guarantee against workmanship and material defects.
- Lifetime Guarantee against rust and corrosion.
- Made in the USA.



Model No	Size W-H-L	Wt. Cap.	No. Casters	Ship Lbs.
T-Bar Top & Bottom Shelf w/ Handle				
95661	19" x 42" x 46"	700#	4	40

Four 5" platform type casters - two swivel (#C450) two rigid (#C460).