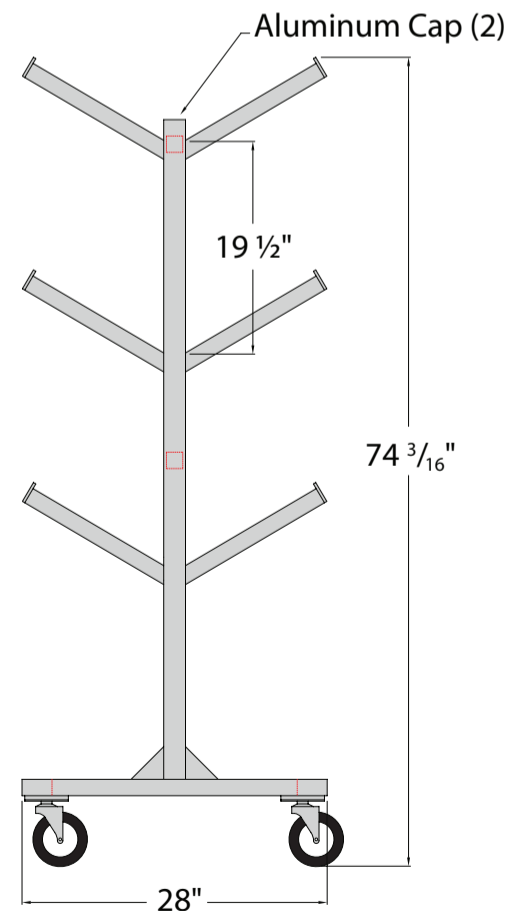


- Uprights consist of 2" square tube, .100" wall and are heavily gusseted to the base.
- Base is constructed of 1½" x 2¾" x .07" wall tube and ¾" thick caster plates are welded to the base frame to accept platform casters.
- Arms consist of 1½" square tube, .07" wall with each end capped with ¼" x 1½" straps to hold pan extenders in place.
- Equipped with four, 5" plate type casters with polyolefin hub and polyurethane tread (#C453).
- All-welded construction.
- Five-Year Guarantee against workmanship and material defects.
- Lifetime Guarantee against rust and corrosion.
- Made in the USA.
- Custom Manufactured in accordance with NSF standards and "Custom NSF" marked for Costco.



Model No.	Size W-H-D
96456	24" x 74 <sup>3/16</sup> " x 28"