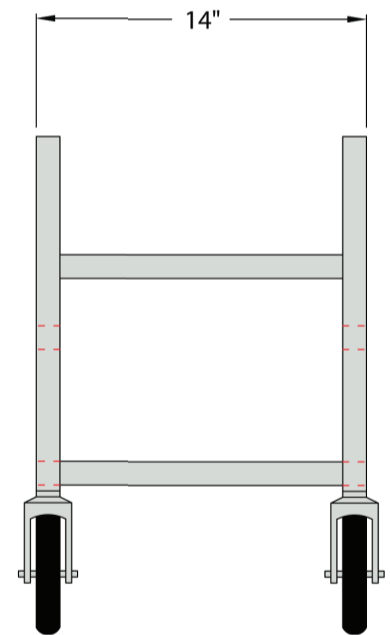
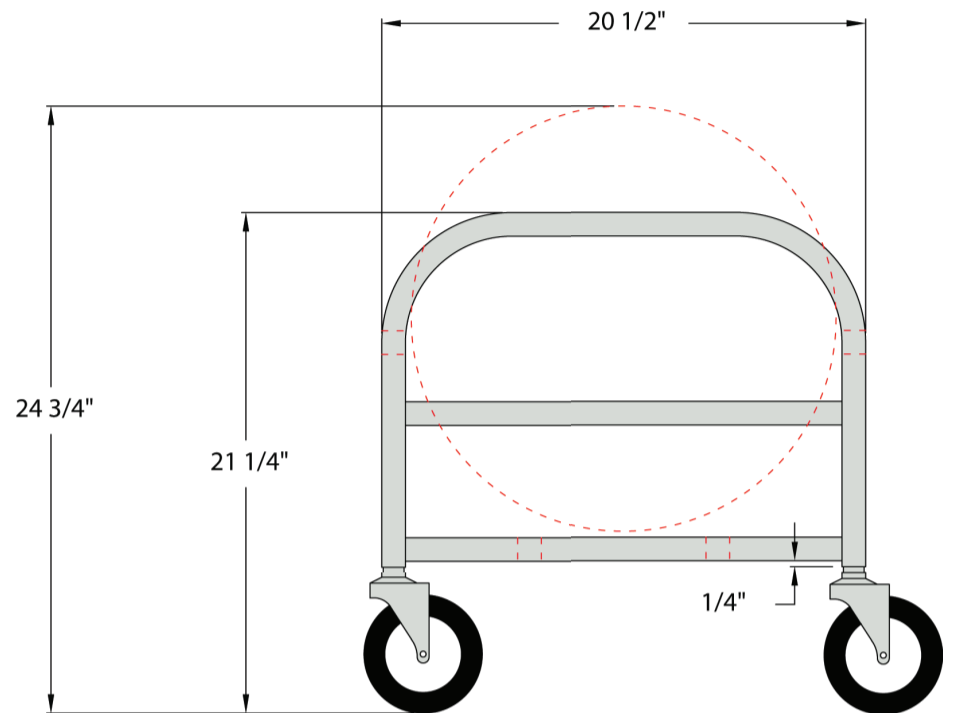


- All-welded construction.
- Framework is constructed out of 1" x 1" x .070" wall tubing.
- Equipped with four 5" stainless steel stem type swivel casters.
- Five-Year Guarantee against workmanship and material defects.
- Lifetime Guarantee against rust and corrosion.
- Made in the USA.



Model No.	Size W-H-D	Lbs.
96652CST	14" x 21 1/4" x 20 1/2"	13
Four 5" swivel type stem casters (#C482SS)		