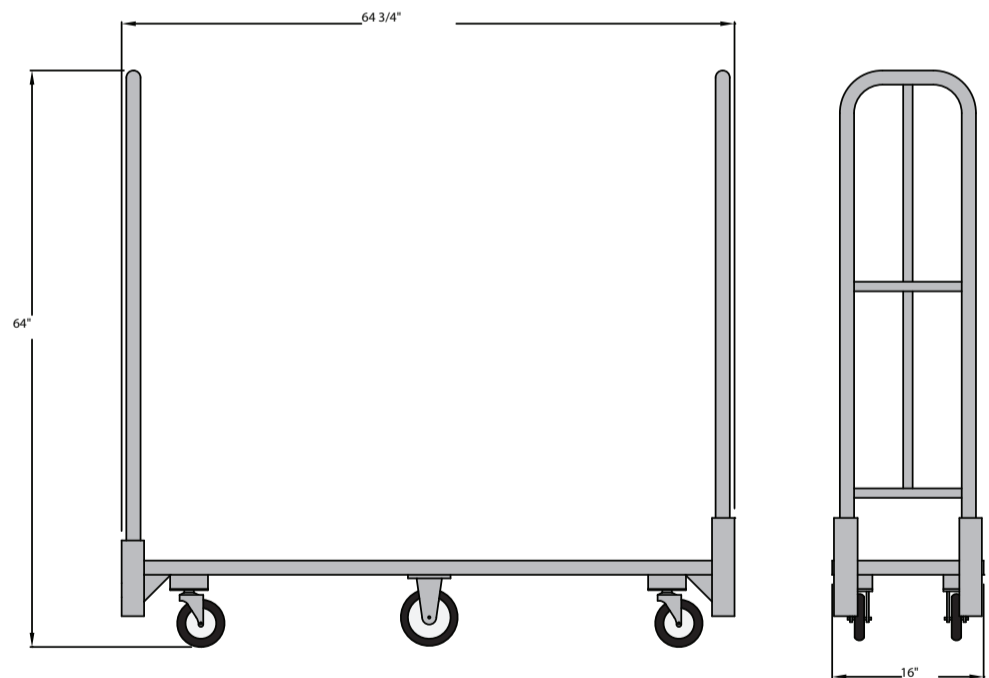


- Ideal for transporting heavy loads from the back room to the floor area or cooler. When complete this cart stores upright to maximize the available storage space.
- Framework is constructed out of 1 1/2"x 1 1/2"x .070" wall tubing.
- Handle is constructed out of 1 1/2" diameter pipe and is reinforced by 1/2" x 1" x .070" wall tubing.
- removable shelves are constructed out of .050" aluminum sheet. (shelves sold separately)
- Equipped with four 5" platform type swivel casters and two 6"x2" platform type rigid casters.
- Five-Year Guarantee against workmanship and material defects.
- Lifetime Guarantee against rust and corrosion.
- Made in the USA.



Model No	Size Unfolded	Size Folded	Wt. Cap.	Product Wt.	Ship Wt.
96856	16" x 64" x 64 ³ / ₄ "	16" x 14" x 64 ³ / ₄ "	1500#	61#	76#

Four 5" platform type swivel casters (#C450) and two 6"x2" platform type rigid casters (#C518).