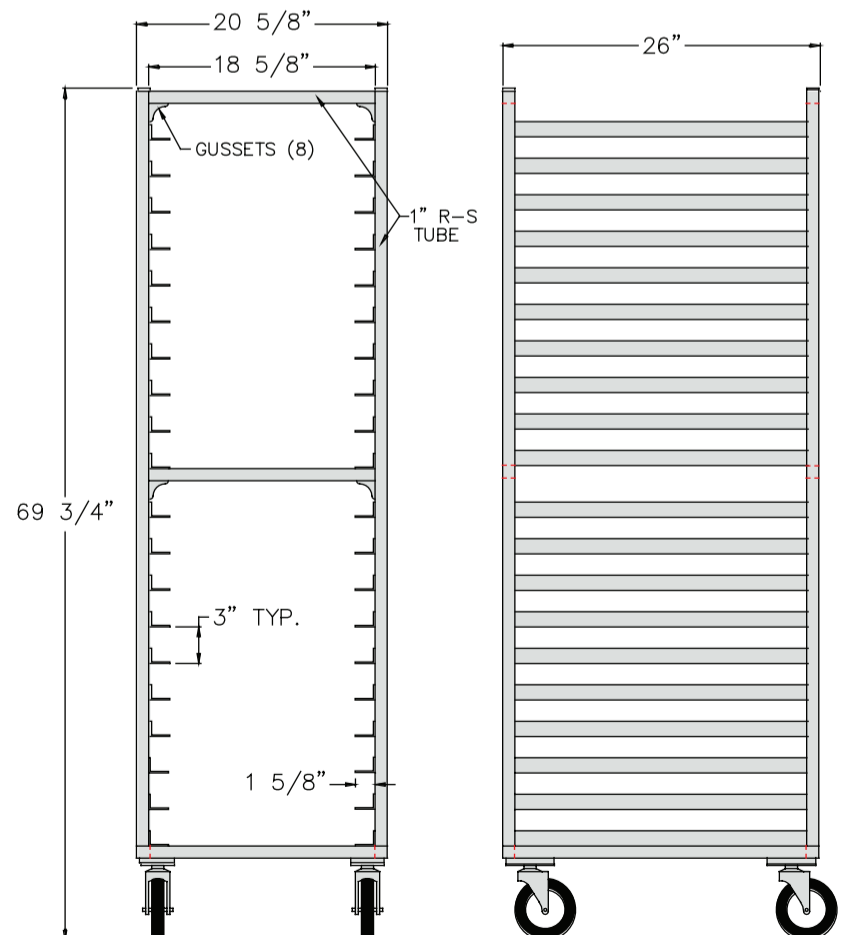


- Heavy duty, high tensile, extruded aluminum Type 6463-T5 alloy.
- Tray slides are 1¼" x 1⅝" x .100" extruded aluminum welded to frame, vertical and horizontal frame members are 1" x 1" x .100" extruded aluminum tubing.
- Equipped with four non-marking polyurethane 5" plate type stainless steel swivel casters.
- Five-Year Guarantee against workmanship and material defects.
- Lifetime Guarantee against rust and corrosion.
- Made in the USA.
- Custom Manufactured in accordance with NSF standard 2 and "Custom NSF" marked for Costco.



Model No.	Size W-H-L	Runner Spacing	Ship lbs.
97019CST	20-5/8" x 69-3/4" x 26"	3"	57

September 2022

This information is for general sales and engineering use only. New Age Industrial reserves the right to modify or make changes at any time without notice to materials and specifications.

