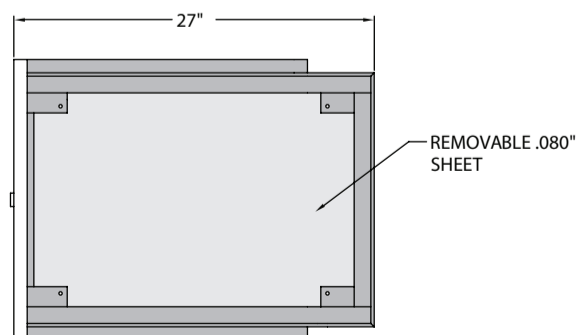
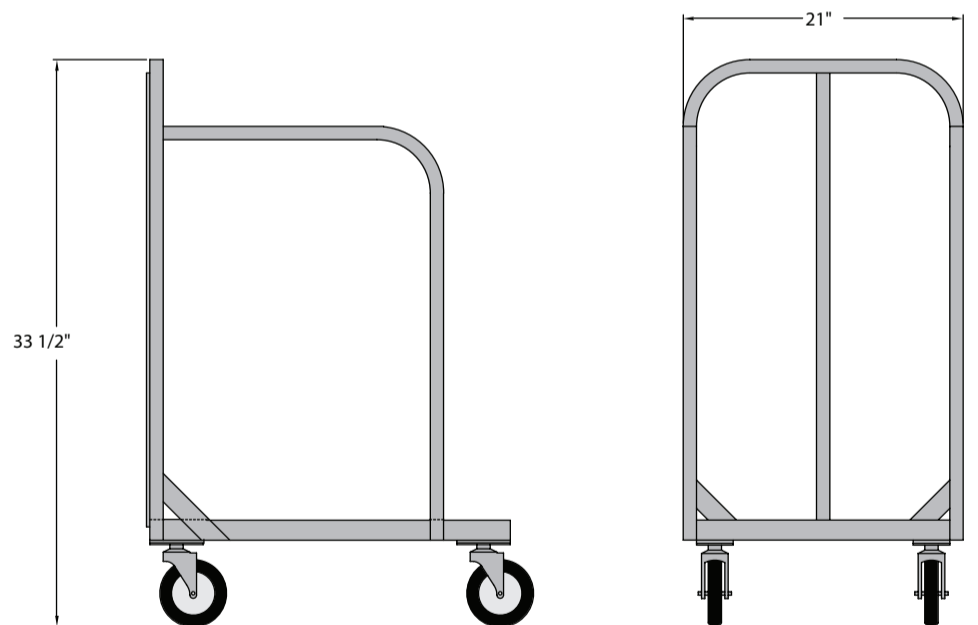


This dolly is designed to hold and transport bun pans.

- Framework is constructed of 2"x2"x.125" wall angle.
- Handles and sides are constructed of 1" x 1" x .070" wall tubing.
- Removable sheet is constructed out of .080" aluminum sheet.
- Equipped with four non-marking polyurethane 5" plate type stainless steel swivel casters.
- Five-Year Guarantee against workmanship and material defects.
- Lifetime Guarantee against rust and corrosion.
- Made in the USA.



Model No.	Size W-H-D	Wt. Capacity
98067CST	21" x 33½" x 27"	1000 lbs.